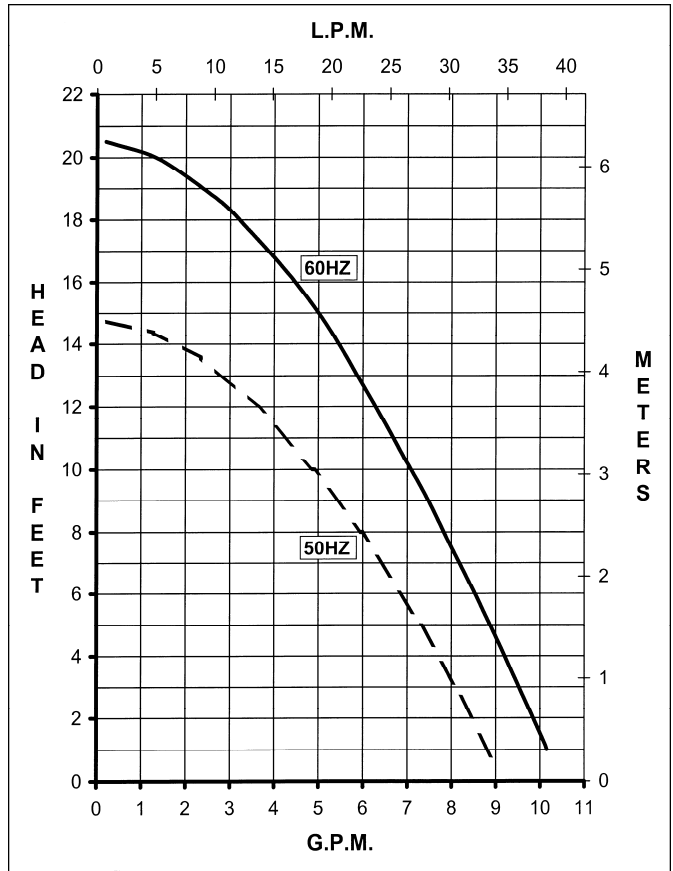
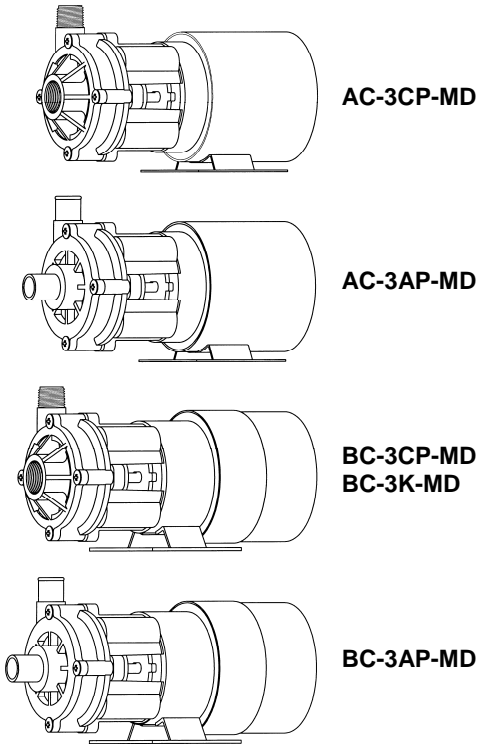


AC-3CP-MD, AC-3AP-MD BC-3CP-MD, BC-3AP-MD BC-3K-MD



MODEL ABBREVIATIONS:

AC = Air Cooled Motor, BC = Blast Cooled Motor
C = Threaded Inlet/Outlet, A = Smooth Inlet/Outlet
K = Kynar, MD = Magnetic Drive

PUMP CONSTRUCTION & SERVICING:

March "Orbital" Magnetic Drive Pumps eliminate the conventional shaft seals found in most pumps. Hence, there is no rotating seal to wear and allow the liquid being pumped to leak out. The pumping action may eventually fail, however the liquid can never leak out. All pumps can be serviced with the use of screwdriver. The only moving part other than the motor is the Impeller Assembly, which rotates on a stationary shaft and up against a thrust washer. These are the only parts that can wear, and may need to be replaced. See the Repair Parts List for replacement parts.

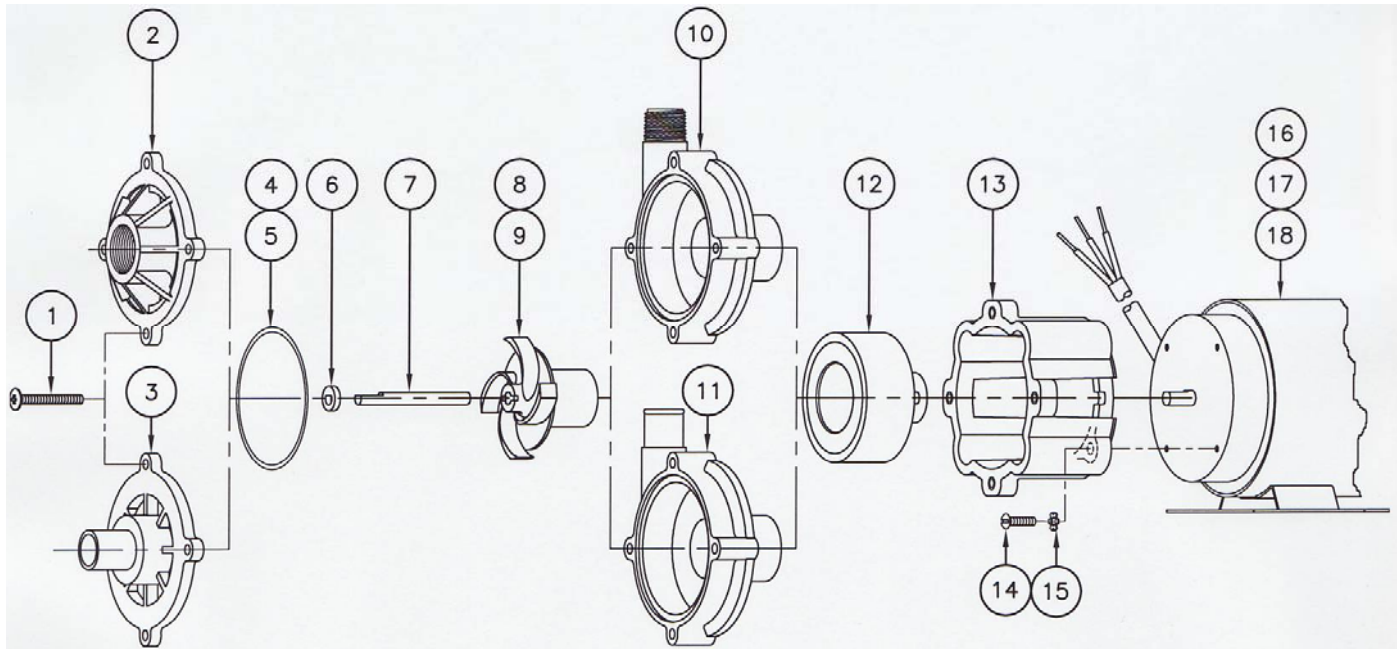
OPERATION:

Pumps are not self priming and will not produce a suction lift and must be installed with a positive flooded suction. We rely on the liquid being pumped to lubricate the Impeller Assembly spinning on the stationary shaft. If the pump is run dry for longer than 10 minutes, the plastic may "freeze" onto the shaft. Various bushing materials are available for dry run protection. Contact the factory for your special application. A trimmed impeller may be necessary when pumping a liquid with a specific gravity or viscosity greater than water as well in cases of high liquid temperature.

ELECTRICAL:

Models are 115 Volt or 230 Volt, 60Hz or 50/60Hz, 1 phase, A.C. motors. The motors are thermal overload protected and have sealed ball bearings, which allows the pump to be run continuously. The motor and overload combinations are U.L. and C.S.A. listed. All cord sets are U.L. approved 18/3 wire, SJO or SJT cords.

SPECIFICATIONS			AC-3CP-MD	AC-3AP-MD	BC-3CP-MD	BC-3AP-MD	BC-3K-MD
Max Flow	50Hz	lpm	33	33	33	33	33
	60Hz	gpm	10	10	10	10	10
Max Head	50Hz	m	4.5	4.5	4.5	4.5	4.5
	60Hz	ft (psi)	20.5 (8.9)	20.5 (8.9)	20.5 (8.9)	20.5 (8.9)	20.5 (8.9)
Inlet			3/4" FPT	3/4" OD	3/4" FPT	3/4" OD	3/4" FPT
Outlet			1/2" MPT	3/4" OD	1/2" MPT	3/4" OD	1/2" MPT
Max Internal Pressure		psi	50	50	50	50	75
		bar	3.4	3.4	3.4	3.4	5
Max Liquid Temperature		°F	190	190	190	190	200
		°C	87	87	87	87	93
Packed Weight		kg/lbs	3.1/7	3.1/7	3.8/8	3.8/8	3.8/8
Motor Type			Air Cooled 115 or 230	Air Cooled 115 or 230	Blast Cooled 115 or 230	Blast Cooled 115 or 230	Blast Cooled 115 or 230
Phase			1	1	1	1	1
50Hz	Volts		230	230	115 230	115 230	115 230
	Watts		141	141	143 141	143 141	143 141
	Amps		1.0	1.0	1.8 1.0	1.8 1.0	1.8 1.0
	Kw		0.049	0.049	0.049 0.049	0.049 0.049	0.049 0.049
	Rpm		2850	2850	2850 2850	2850 2850	2850 2850
60Hz	Volts		115 230	115 230	115 230	115 230	115 230
	Watts		150 134	150 134	134 134	134 134	134 134
	Amps		2.3 0.9	2.3 0.9	2.1 0.9	2.1 0.9	2.1 0.9
	Hp		1/15 1/15	1/15 1/15	1/15 1/15	1/15 1/15	1/15 1/15
	Rpm		3450 3450	3450 3450	3450 3450	3450 3450	3450 3450
Electrical Connection			Cord	Cord	Cord	Cord	Cord
Overall Pump Dimensions (Inches)	Height		5	5	5	5	5
	Width		3.91	4	3.91	4	4
	Length		8.12	8.77	8.90	9.55	8.77
Overall Pump Dimensions (cm)	Height		12.7	12.7	12.7	12.7	12.7
	Width		9.9	10.1	9.9	10.1	10.1
	Length		20.6	22.2	22.6	24.2	22.2



NOTE: When attaching the Drive Magnet Assembly (item 12) to the motor shaft, position the face of the Drive Magnet Assembly 3/32 inch below the face of the Motor Bracket (item 13)

REPAIR PARTS LIST

ITEM	DESCRIPTION	MATERIAL	QTY	PART #	AC-3CP-MD	AC-3AP-MD	BC-3CP-MD	BC-3AP-MD	BC-3K-MD
1	Screw #10-32 x 1-1/2"Lg	Stainless Steel	4	0823-0008-1000	S	S	S	S	S
2A	Cover (3/4" FPT Inlet)	Polypropylene	1	0130-0021-1000	S	O	S	O	
2B	Cover (3/4" FPT Inlet)	Kynar	1	0130-0111-1000					S
3	Cover (3/4" OD Inlet)	Polypropylene	1	0130-0064-1000	O	S	O	S	
4	"O" Ring	Buna N	1	0130-0011-1000	S	S	O	O	O
5	"O" Ring	Viton	1	0130-0033-1000	O	O	S	S	S
6	Thrust Washer	Ceramic	1	0130-0028-1000	S	S	S	S	S
7	Shaft	Ceramic	1	0130-0024-1000	S	S	S	S	S
8	Impeller Assembly	Polypropylene/Ceramic Mag.	1	0130-0020-0100	S	S	O	O	
9A	Encapsulated Impeller Assembly	Polypropylene	1	0130-0069-0200	O	O	S	S	
9B	Encapsulated Impeller Assembly	Kynar	1	0130-0112-0200					S
10A	Rear Housing (1/2" MPT Outlet)	Polypropylene	1	0130-0018-1000	S	O	S	O	
10B	Rear Housing (1/2" MPT Outlet)	Kynar	1	0130-0110-1000					S
11	Rear Housing (3/4" OD Outlet)	Polypropylene	1	0130-0102-1000	O	S	O	S	
12	Drive Magnet Assembly		1	0130-0043-0200	S	S	S	S	S
13	Motor Connecting Bracket		1	0130-0066-0100	S	S	S	S	S
14	Screw #8-32 x 5/8"Lg	Stainless Steel	4	0618-0027-1000	S	S	S	S	S
15	Lock Washer #8	Steel	4	0140-0014-1000	S	S	S	S	S
16	AC Motor, 115 Volt, 60 Hz		1	0130-0022-1000	S	S	O	O	O
17	BC Motor, 115 Volt, 50/60 Hz		1	0130-0140-1000	O	O	S	S	S
18	AC or BC Motor, 230 Volt, 50/60 Hz		1	0130-0049-1000	S	S	S	S	S

NOTE: Contact Factory for other materials and/or parts not listed.

Legend: S = Standard, O = Optional

MATERIALS IN CONTACT WITH SOLUTION:

AC-3CP/3AP-MD: Polypropylene, Buna N, Ceramic, Ceramic Magnet
 BC-3CP/3AP-MD: Polypropylene, Viton, Ceramic
 BC-3K-MD: Kynar/Carbon Filled, Viton, Ceramic

NOTES:

All specifications & data are based on pumping water and are intended for use as a guideline only. Ratings & dimensions may vary depending on the current motor being used.

LIMITED WARRANTY:

March pumps are guaranteed only against defects in workmanship or materials for a period of one year from date of manufacture pumping water. On all other solutions, contact the factory for application assistance. March Pump Application Worksheet 0750-0130-1000 is available for additional warranty information.