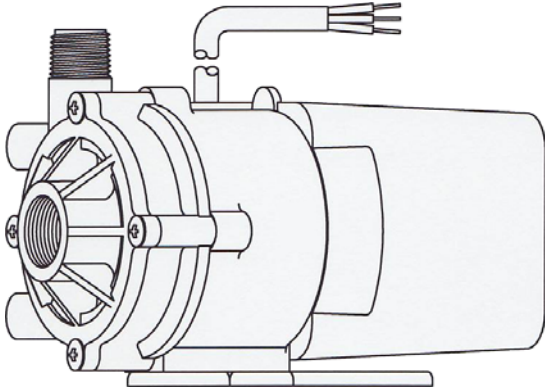


LC-3CP-MD

PUMP CONSTRUCTION & SERVICING:

March "Orbital" Magnetic Drive Pumps eliminate the conventional shaft seals found in most pumps. Hence, there is no rotating seal to wear and allow the liquid being pumped to leak out. In addition to this unique "seal-less" design, the pump is hermetically encapsulated in epoxy. This epoxy encapsulation now allows the pumps to be run fully submerged in many liquids. The model LC-3CP-MD pump can be run totally submerged or can be run in open air for complete moisture protection. The pump can be serviced with the use of a screwdriver. The only moving part other than the motor, is the Impeller Assembly, which rotates on a stationary shaft and up against a thrust washer. This is the only part that can wear out, and may need to be replaced. See the Repair Parts List for replacement parts if necessary.

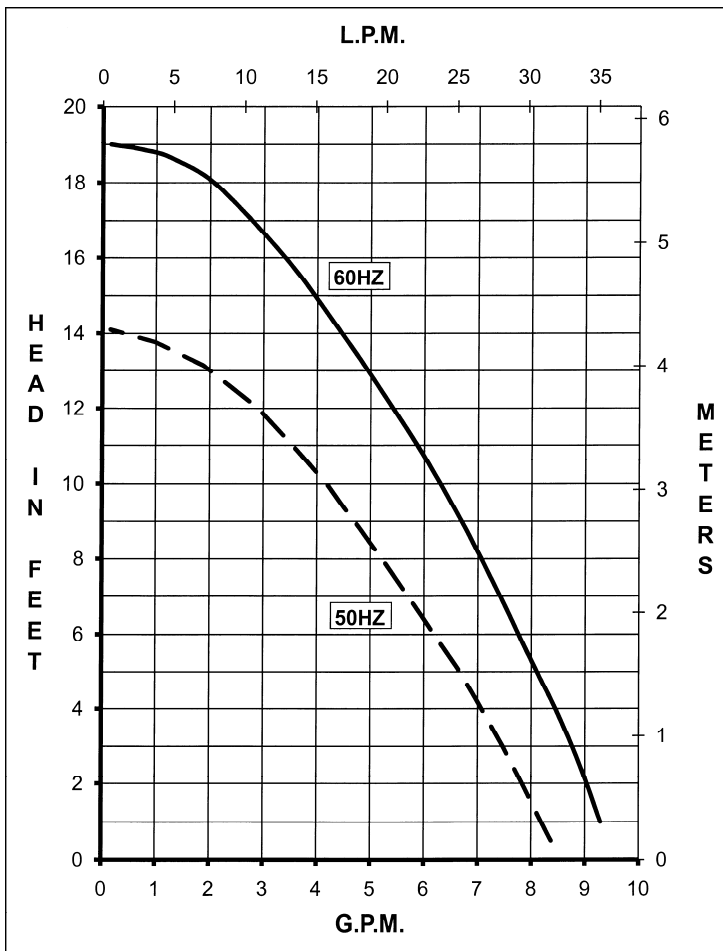


OPERATION:

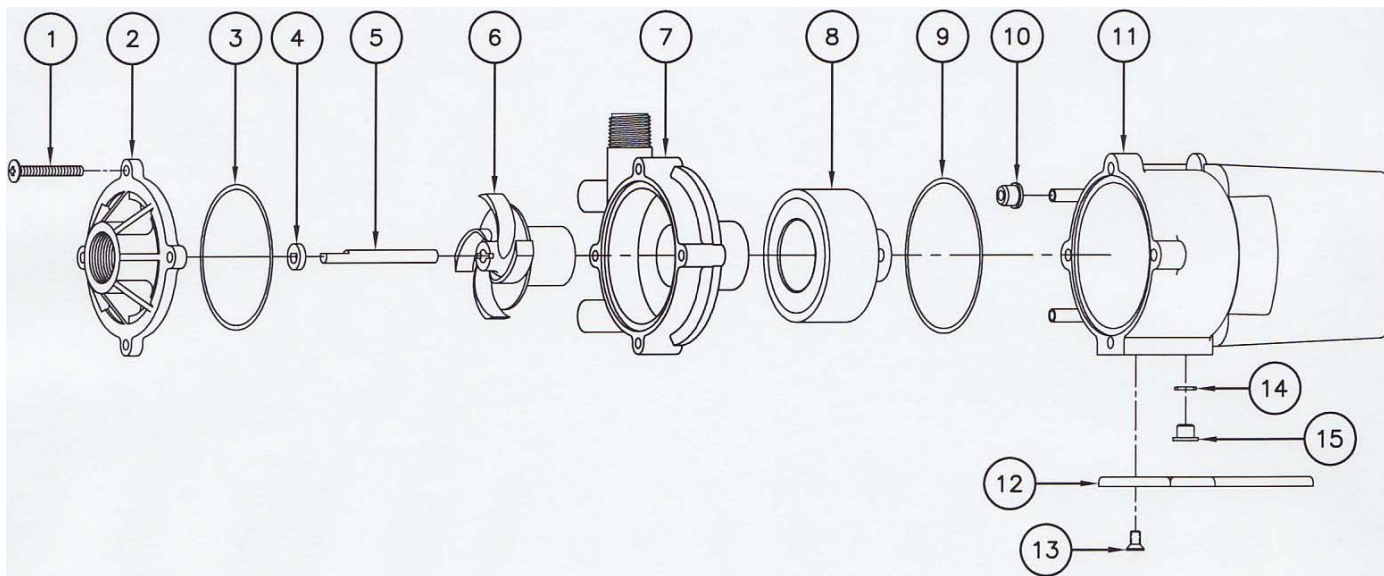
Pumps are not self priming and will not produce a suction lift and must be installed with a positive flooded suction. We rely on the liquid being pumped to lubricate the Impeller Assembly spinning on the stationary shaft. If the pump is run dry for longer than 60 seconds, the plastic may "freeze" onto the shaft.

ELECTRICAL:

Models are standard in 115 Volt, 60 Hz, 1 phase A.C. All cords set are U.L. approved 18/3 wire SJT plastic cords. Standard cord length is 6 feet. 230 Volt 50 Hz and 230 Volt 60 Hz are also available.



SPECIFICATIONS			LC-3CP-MD
Max Flow	50Hz	lpm	31
	60Hz	gpm	8.5
Max Head	50Hz	m	4.3
	60Hz	ft (psi)	19 (8.2)
Inlet		3/4" FPT	
Outlet		1/2" MPT	
Max Internal Pressure	psi		25
	bar		1.7
Max Liquid Temperature	°F		130
	°C		54
Packed Weight	kg/lbs	3.85/8.5	
Motor Type		TE/SUB 115 60Hz 230 50Hz 230 60Hz	
Phase		1	
50Hz	Volts	230	
	Watts	100	
	Amps	1.0	
	Kw	0.037	
	Rpm	2850	
60Hz	Volts	115	230
	Watts	120	120
	Amps	2.0	1.0
	Hp	1/20	1/20
	Rpm	3450	3450
Electrical Connection		Cord	
Overall Pump Dimensions (Inches)	Height	4.87	
	Width	4.75	
	Length	7.38	
Overall Pump Dimensions (cm)	Height	12.3	
	Width	12.0	
	Length	18.7	



REPAIR PARTS LIST

ITEM	DESCRIPTION	MATERIAL	QTY	PART NO.
1	Screw #10-32 x 1-1/2" Lg.	Stainless Steel	4	0823-0008-1000
2	Cover	Polypropylene	1	0130-0021-1000
3	"O" Ring (Cover) 3/32"CS x 2-5/8"ID x 2-13/16"OD	Buna N	1	0130-0011-1000
4	Thrust Washer	Ceramic	1	0130-0028-1000
5	Shaft	Ceramic	1	0130-0024-1000
6	Impeller Assembly	Polypropylene/Ceramic Magnet	1	0130-0020-0100
7	Rear Housing & Plug Assembly	Polypropylene	1	0130-0019-0100
8	Drive Magnet Assembly		1	0130-0043-0100
9	"O" Ring (Bracket) 3/32"CS x 2-13/16"ID x 3"OD	Buna N	1	0130-0025-1000
10	Cooling Tube Seal	Buna N	2	0125-0007-1000
11A	L.C. Epoxy Motor, Bracket, Cord Assembly, 115 Volt 60Hz		1	0130-0091-0100
11B	L.C. Epoxy Motor, Bracket, Cord Assembly, 230 Volt 60Hz		1	0130-0093-0100
11C	L.C. Epoxy Motor, Bracket, Cord Assembly, 230 Volt 50Hz		1	0130-0092-0100
12A	Mounting Base	Polypropylene	2	0125-0037-1000
12B	Marine Mounting Base w/Grommets	Cyclac		0125-0113-0100
13	Base Screw	Stainless Steel	2	0130-0132-1000
14	"O" Ring	Viton	1	0210-0008-1000
15	Plug (for Motor Bracket)	Polypropylene	1	0125-0110-1000

NOTE: Contact Factory for other materials and/or parts not listed.

MATERIALS IN CONTACT WITH SOLUTION:

Polypropylene, Cupric Nickel, Buna N, Ceramic, & Ceramic Magnet.

When pump is submerged the following additional materials are in contact: Epoxy, Stainless Steel, Polysulfone, & cord.

NOTES:

All specifications & data are based on pumping water and are intended for use as a guideline only. Ratings & dimensions may vary depending on the current motor being used.

LIMITED WARRANTY:

March pumps are guaranteed only against defects in workmanship or materials for a period of one year from date of manufacture pumping water. On all other solutions, contact the factory for application assistance. March Pump Application Worksheet 0750-0130-1000 is available for additional warranty information.