

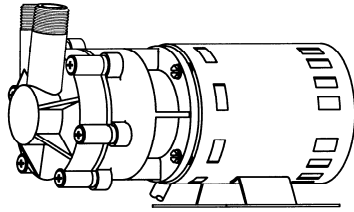


# MARCH PUMPS

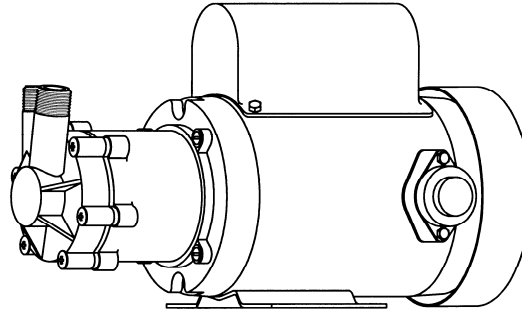
1819 PICKWICK AVE., GLENVIEW, IL 60026-1306, U.S.A  
 PHONE: (847) 729-5300 - FAX: (847) 729-7062  
 WWW.MARCHPUMP.COM

**MDX-MT3**  
**MDK-MT3**  
**TE-MDX-MT3**  
**TE-MDK-MT3**

**MDX-MT3**  
**MDK-MT3**



**TE-MDX-MT3**  
**TE-MDK-MT3**



### PUMP CONSTRUCTION & SERVICING:

March "ORBITAL" Magnetic Drive Pumps eliminate the conventional shaft seals found in most pumps. This means that there is no rotating seal to wear and allow the liquid being pumped to leak out. There are only two areas in this type construction that rotate and could wear out. One area is the motor shaft and bearings. The second area is the impeller-magnet assembly rotating on a stationary spindle, and hence these are the only two areas where wearing can occur.

All parts can be easily serviced and replaced in the field if necessary with the use of a screwdriver. See the Repair Parts List for necessary replacement items.

All ratings are based on pumping water. Depending on the pumping conditions, some liquids heavier than water may cause the magnetic coupling to slip. Contact the factory if this occurs for special instructions. The inlet and outlet ports are 1/2" M.P.T. threads.

### OPERATION:

Pumps are not self priming and will not produce a suction lift and must be installed with a positive flooded suction. The pumps should not be run dry for more than 30 seconds as the plastic impeller will squeal and may bind on the stationary spindle.

### ELECTRICAL:

The MDX-MT3 & MDK-MT3 motor is open, air-cooled, 115 volt or 230 volt 50/60 cycle, 1 phase A.C.

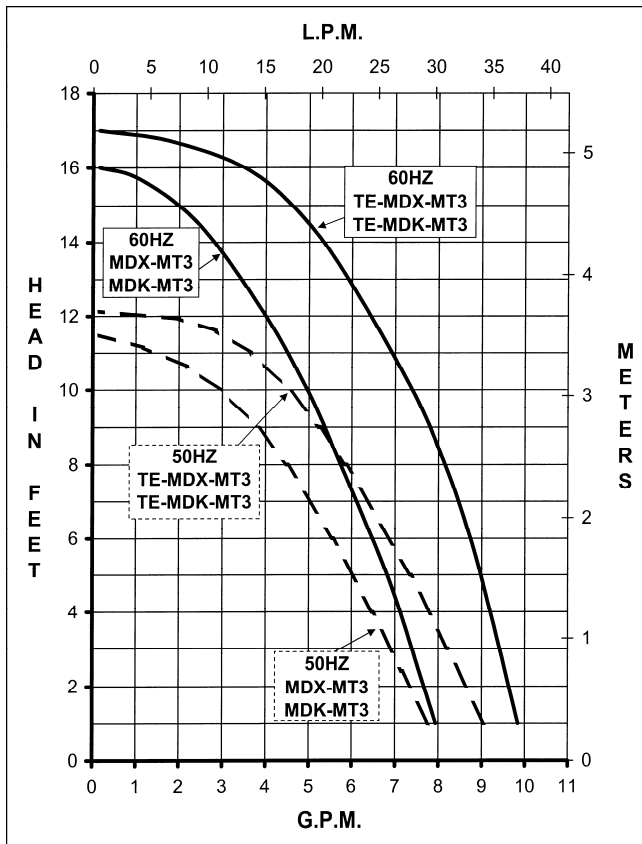
The TE-MDX-MT3 & TE-MDK-MT3 motor is totally enclosed, 115/230 volt, 50/60 cycle, 1 phase A.C. Wiring instructions are located on the motor label. Both motors are U.L. recognized.

### MODEL ABBREVIATIONS:

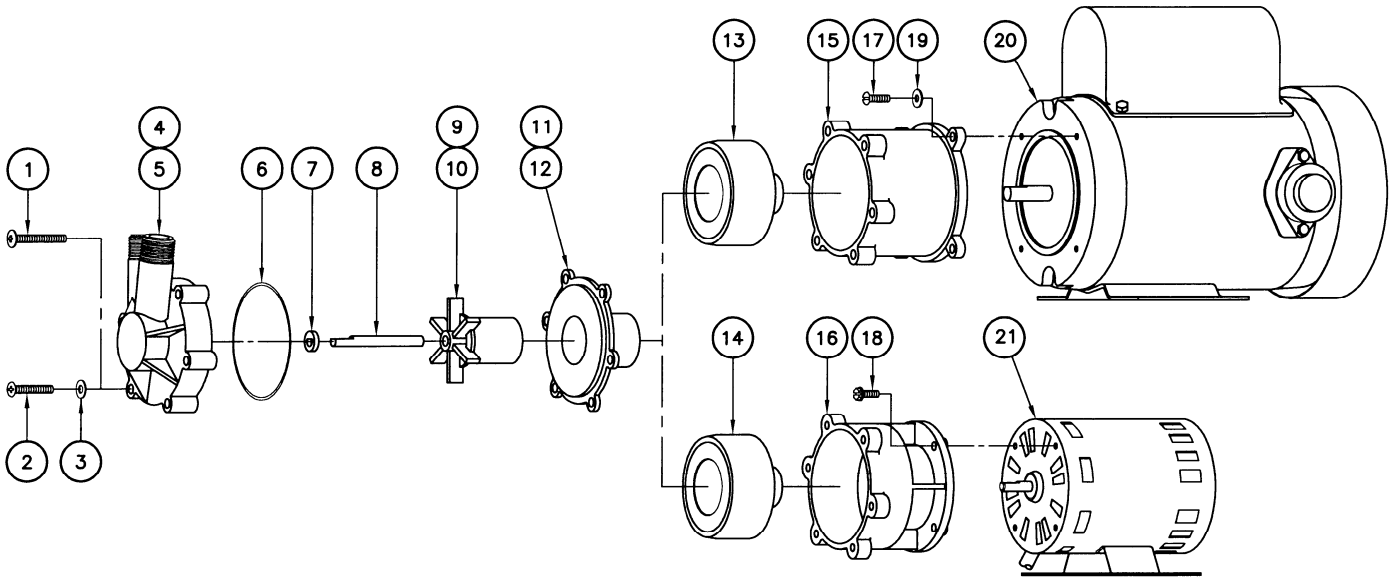
X = Ryton

K = Kynar

TE = Totally Enclosed Fan Cooled Motor



SPECIFICATIONS			MDX-MT3	MDK-MT3	TE-MDX-MT3	TE-MDK-MT3
Max Flow	50Hz	lpm	30	30	35	35
	60Hz	gpm	8	8	10	10
Max Head	50Hz	m	3.5	3.5	3.7	3.7
	60Hz	ft (psi)	16 (6.9)	16 (6.9)	17 (7.4)	17 (7.4)
Inlet			1/2" MPT	1/2" MPT	1/2" MPT	1/2" MPT
Outlet			1/2" MPT	1/2" MPT	1/2" MPT	1/2" MPT
Max Internal Pressure	psi		75	75	75	75
	bar		5	5	5	5
Max Liquid Temperature	°F		200	200	200	200
	°C		93	93	93	93
Packaged Weight			kg/lbs	3/6.5	3/6.5	4.5/10
Motor Type			Air Cooled 115 or 230	Air Cooled 115 or 230	TEFC 115/230	TEFC 115/230
Phase			1	1	1	1
50Hz	Volts		115 230	115 230	115 230	115 230
	Watts		114 124	114 124	95 95	95 95
	Amps		1.35 0.80	1.35 0.80	1.04 0.52	1.04 0.52
	Kw		0.029 0.029	0.029 0.029	0.049 0.049	0.049 0.049
	Rpm		2850 2850	2850 2850	2850	2850
60Hz	Volts		115 230	115 230	115 230	115 230
	Watts		120 117	120 117	115 115	115 115
	Amps		1.35 0.85	1.35 0.85	1 0.5	1 0.5
	Hp		1/25 1/25	1/25 1/25	1/15 1/15	1/15 1/15
	Rpm		3450 3450	3450 3450	3450	3450
Electrical Connection			Cord	Cord	Conduit Box	Conduit Box
Overall Pump Dimensions (Inches)	Height		4.82	4.82	7.19	7.19
	Width		3.70	3.70	8.02	8.02
Overall Pump Dimensions (cm)	Length		8.41 9.02	8.41 9.02	12.42	12.42
	Height		12.2	12.2	18.2	18.2
Overall Pump Dimensions (cm)	Width		9.3	9.3	20.3	20.3
	Length		21.3 22.9	21.3 22.9	31.5	31.5



### REPAIR PARTS LIST

ITEM	DESCRIPTION	MATERIAL	QTY	PART NO.	USED IN
1	Screw #10-32 x 1-1/2"Lg	Stainless Steel	6	0823-0008-1000	TE-MDX-MT3 & TE-MDK-MT3
2	Screw #10-32 x 1-1/8"Lg	Stainless Steel	6	0135-0181-1000	MDX-MT3 & MDK-MT3
3	Washer #10	Stainless Steel	6	0150-0051-1000	MDX-MT3 & MDK-MT3
4	Front Housing 1/2" MPT	Ryton®	1	0135-0088-1000	MDX-MT3 & TE-MDX-MT3
5	Front Housing 1/2" MPT	Kynar®	1	0135-0152-1000	MDK-MT3 & TE-MDK-MT3
6	"O" Ring	Viton®	1	0135-0046-1000	ALL
7	Thrust Washer	Ceramic	1	0130-0028-1000	ALL
8	Shaft	Ceramic	1	0130-0024-1000	ALL
9	Impeller Assembly	Ryton®	1	0135-0113-0200	MDX-MT3 & TE-MDX-MT3
10	Impeller Assembly	Kynar®	1	0135-0154-0200	MDK-MT3 & TE-MDK-MT3
11	Rear Housing	Ryton®	1	0135-0087-1000	MDX-MT3 & TE-MDX-MT3
12	Rear Housing	Kynar®	1	0135-0153-1000	MDK-MT3 & TE-MDK-MT3
13	Drive Magnet Assembly (.375 Bore)	Polypropylene	1	0130-0043-0300	TE-MDX-MT3 & TE-MDK-MT3
14	Drive Magnet Assembly (.250 Bore)	Polypropylene	1	0130-0043-0100	MDX-MT3 & MDK-MT3
15	Motor Connecting Bracket	Plastic	1	0135-0089-0100	TE-MDX-MT3 & TE-MDK-MT3
16	Motor Connecting Bracket	Plastic	1	0135-0135-0100	MDX-MT3 & MDK-MT3
17	Screw #8-32 x 5/8"Lg	Stainless	4	0618-0027-1000	TE-MDX-MT3 & TE-MDK-MT3
18	Screw (Hex Washer Hd) #8-32 x 1/2"Lg	Stainless	4	0135-0169-1000	MDX-MT3 & MDK-MT3
19	Washer #8	Stainless	4	0135-0016-1000	TE-MDX-MT3 & TE-MDK-MT3
20	Motor - TEFC - 115/230 Volt - 50/60 Hz		1	0135-0148-1000	TE-MDX-MT3 & TE-MDK-MT3
21A	Motor - 115 Volt - 50/60 Hz		1	0135-0114-1000	MDX-MT3 & MDK-MT3
21B	Motor - 230 Volt - 50/60 Hz		1	0135-0136-1000	MDX-MT3 & MDK-MT3

NOTE: Contact factory for other materials and/or parts not listed.

#### MATERIALS IN CONTACT WITH SOLUTION:

MDX-MT3: Ryton, Ceramic, Viton

MDK-MT3: Kynar, Ceramic, Viton

TE-MDX-MT3: Ryton, Ceramic, Viton

TE-MDK-MT3: Kynar, Ceramic, Viton

#### NOTES:

All specifications & data are based on pumping water and are intended for use as a guideline only. Ratings & dimensions may vary depending on the current motor being used.

#### LIMITED WARRANTY:

March pumps are guaranteed only against defects in workmanship or materials for a period of one year from date of manufacture pumping water. On all other solutions, contact the factory for application assistance. March Pump Application Worksheet 750-130-10 is available for additional warranty information.