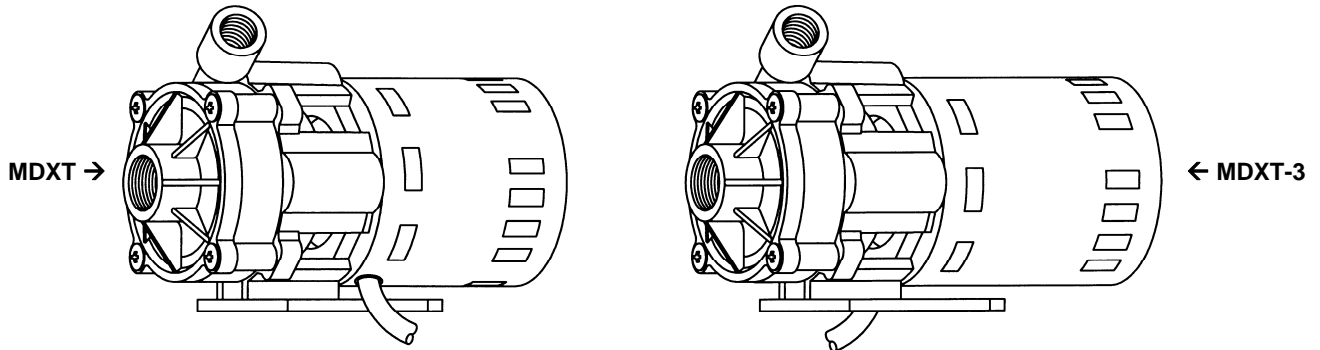




MARCH PUMPS

1819 PICKWICK AVE., GLENVIEW, IL 60026-1306, U.S.A
 PHONE: (847) 729-5300 - FAX: (847) 729-7062
 WWW.MARCHPUMP.COM

MDXT MDXT-3



PUMP CONSTRUCTION:

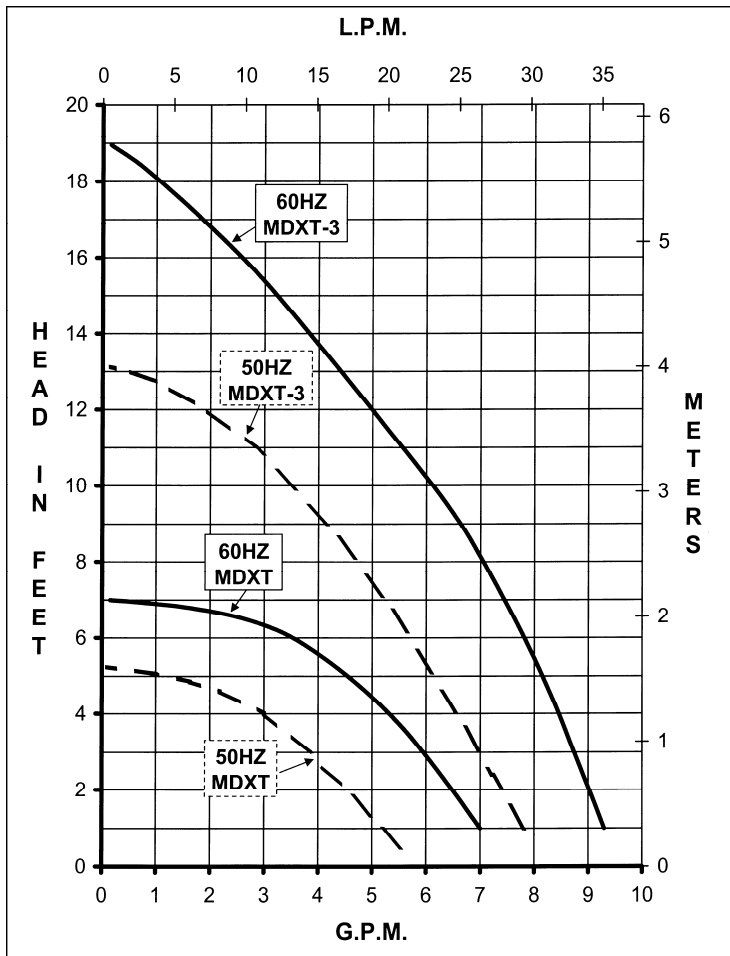
March "ORBITAL" Magnetic Drive Pumps eliminate the conventional shaft seals found in most pumps. This means that there is no rotating seal to wear and allow the liquid being pumped to leak out. There are only two areas in this type construction that rotate and could wear out. One area is the motor shaft and bearings. The second area is the impeller rotating on a stationary spindle, and hence these are the only two areas where wearing can occur. All parts can be easily serviced and replaced in the field if necessary. By removing the 4 housing screws, the entire pump can be disassembled. See the Repair Parts List for necessary replacement items.

OPERATION:

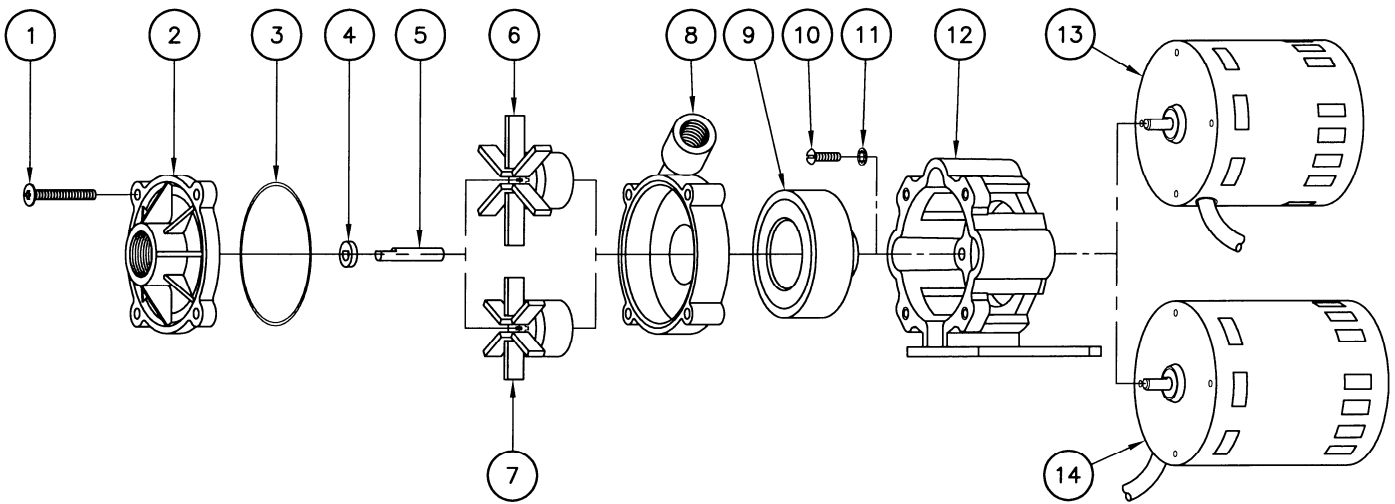
Pumps are not self priming and will not produce a suction lift and must be installed with a positive flooded suction. The pumps should not be run dry for more than 60 seconds as the plastic impeller will squeal and bind onto the stationary spindle.

ELECTRICAL:

Models are 115 volt or 230 Volt, 60Hz or 50/60Hz 1phase A.C. Motors are all thermal overload protected and are UL recognized. The black and white lead should be connected to your power source. The green lead must be connected to the ground.



SPECIFICATIONS		MDXT	MDXT-3		
Max Flow	50Hz	lpm	22	30	
	60Hz	gpm	7	8.5	
Max Head	50Hz	m	1.6	4	
	60Hz	ft (psi)	7 (3)	19 (8.2)	
Inlet		1/2" FPT	1/2" FPT		
Outlet		3/8" FPT	3/8" FPT		
Max Internal Pressure	psi	50	50		
	bar	3.4	3.4		
Max Liquid Temperature	°F	190	190		
	°C	87	87		
Packed Weight		kg/lbs	2.5/5.5	3/6	
Motor Type		Air Cooled	Air Cooled		
		115 or 230	115 or 230		
Phase		1	1		
50Hz	Volts	230	115	230	
	Watts	64	118	120	
	Amps	0.5	1.55	0.7	
	Kw	0.018	0.029	0.029	
	Rpm	1300	2850	2850	
60Hz	Volts	115	230	115	230
	Watts	59	59	115	114
	Amps	0.94	0.45	1.55	0.7
	Hp	1/55	1/40	1/25	1/25
	Rpm	1750	1750	3450	3450
Electrical Connection		Cord	Cord		
Overall Pump Dimensions (Inches)	Height	4.86	4.86		
	Width	3.88	3.88		
	Length	7.14	7.39	7.75	8.17
Overall Pump Dimensions (cm)	Height	12.3	12.3		
	Width	9.8	9.8		
	Length	18.1	18.7	19.6	20.7



REPAIR PARTS LIST

ITEM	DESCRIPTION	MATERIAL	QTY	PART NO.	USED IN
1	Screw #10-32 x 1-1/2" Lg.	Stainless Steel	4	0823-0008-1000	All
2	Cover (1/2" FPT Inlet)	Polypropylene	1	0135-0172-1000	All
3	"O" Ring	Buna N	1	0135-0039-1000	All
4	Thrust Washer	Ceramic	1	0130-0028-1000	All
5	Shaft	Ceramic	1	0809-0160-1000	All
6	Impeller Assembly (2.625" Dia.)	Polypropylene/Ceramic Magnet	1	0135-0026-0100	MDXT
7	Impeller Assembly (2.062" Dia.)	Polypropylene/Ceramic Magnet	1	0135-0043-0100	MDXT-3
8	Rear Housing (3/8" FPT Outlet)	Polypropylene	1	0135-0171-1000	All
9	Drive Magnet Assembly	Polypropylene	1	0135-0126-0100	All
10	Screw #8-32 x 5/8" Lg.	Stainless Steel	4	0618-0027-1000	All
11	Lock Washer	Stainless Steel	4	0620-0010-1000	All
12	Motor Bracket	Plastic	1	0135-0168-0100	All
13	Motor-1750 RPM-115 Volts-60Hz		1	0135-0109-1000	MDXT
13a	Motor-1750 RPM-230 Volts-50/60Hz		1	0135-0112-1000	MDXT
14	Motor-3500 RPM-115 Volts-50/60Hz		1	0135-0036-1000	MDXT-3
14a	Motor-3500 RPM-230 Volts-50/60Hz		1	0135-0037-1000	MDXT-3

NOTE: Contact factory for other materials and/or parts not listed.

MATERIALS IN CONTACT WITH SOLUTION:

MDXT: Polypropylene, Ceramic, Buna N, Ceramic Magnet

MDXT-3: Polypropylene, Ceramic, Buna N, Ceramic Magnet

NOTES:

All specifications & data are based on pumping water and are intended for use as a guideline only. Ratings & dimensions may vary depending on the current motor being used.

LIMITED WARRANTY:

March pumps are guaranteed only against defects in workmanship or materials for a period of one year from date of manufacture pumping water. On all other solutions, contact the factory for application assistance. March Pump Application Worksheet 0750-0130-1000 is available for additional warranty information.