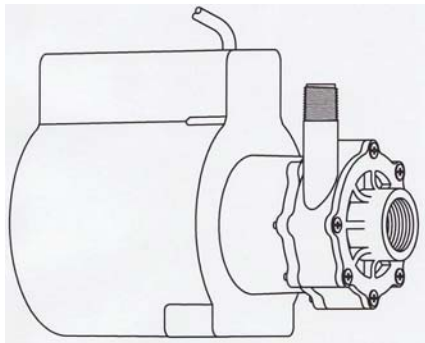


5C-MD LC-5C-MD

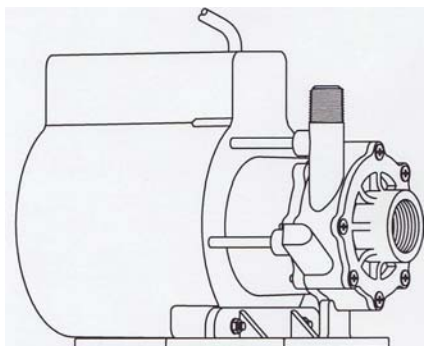


PUMP CONSTRUCTION & SERVICING:

March "Orbital" Magnetic Drive Pumps eliminate the conventional shaft seals found in most pumps. Hence, there is no rotating seal to wear and allow the liquid being pumped to leak out. The pumping action may eventually fail, however the liquid can never leak out. The Model LC-5C-MD pump can be run totally submerged or can be run in open air for complete moisture protection. The model 5C-MD must be run submerged only. All pumps can be serviced with the use of a screwdriver. The only moving part other than the motor, is the Impeller Assembly, which rotates on a stationary shaft and up against a thrust washer. These are the only parts that can wear, and may need to be replaced. See the Repair Parts List for replacement parts.

If you remove the Pump Housing or if you remove the cover, make sure the Motor Bracket "O" Ring is properly seated in the groove before tightening the Housing Screws.

5C-MD SUBMERSIBLE ONLY



OPERATION:

Pumps are not self priming and will not produce a suction lift and must be installed with a positive flooded suction. March relies on the liquid being pumped to lubricate the Impeller Assembly spinning on the stationary shaft. The pump is not to run dry as the plastic may "freeze" onto the shaft. Teflon Filled, and Carbon bushings are available if needed. Contact the factory for special applications.

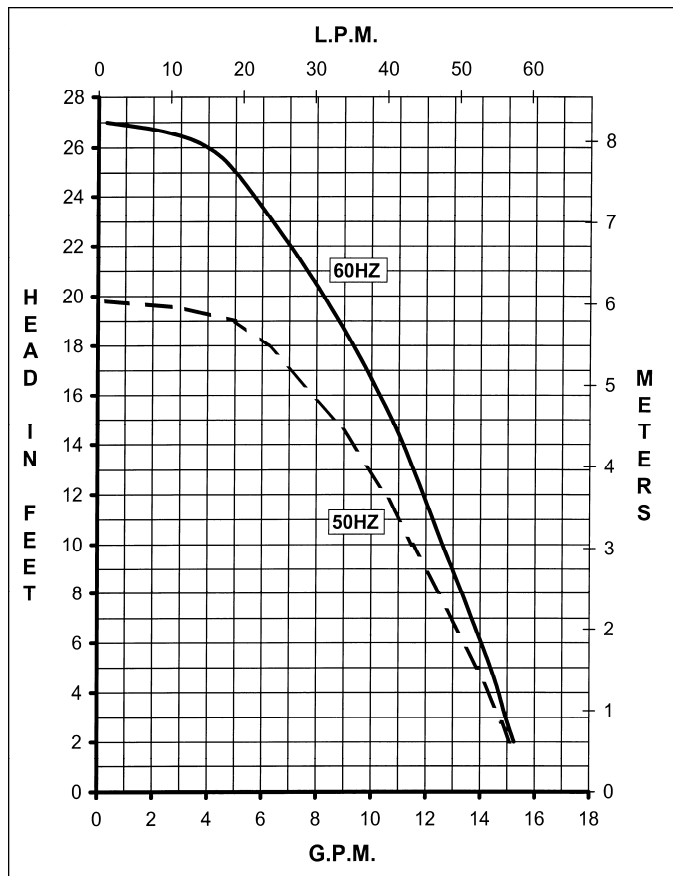
ELECTRICAL:

Models are 115 Volt or 230 Volt, 50/60 Hz, 1 phase, A.C. The motors are thermal overload protected, and the motor and overload combinations are U.L. and C.S.A. listed. All cord sets are U.L. approved 18/3 wire, SJO or SJT cords.

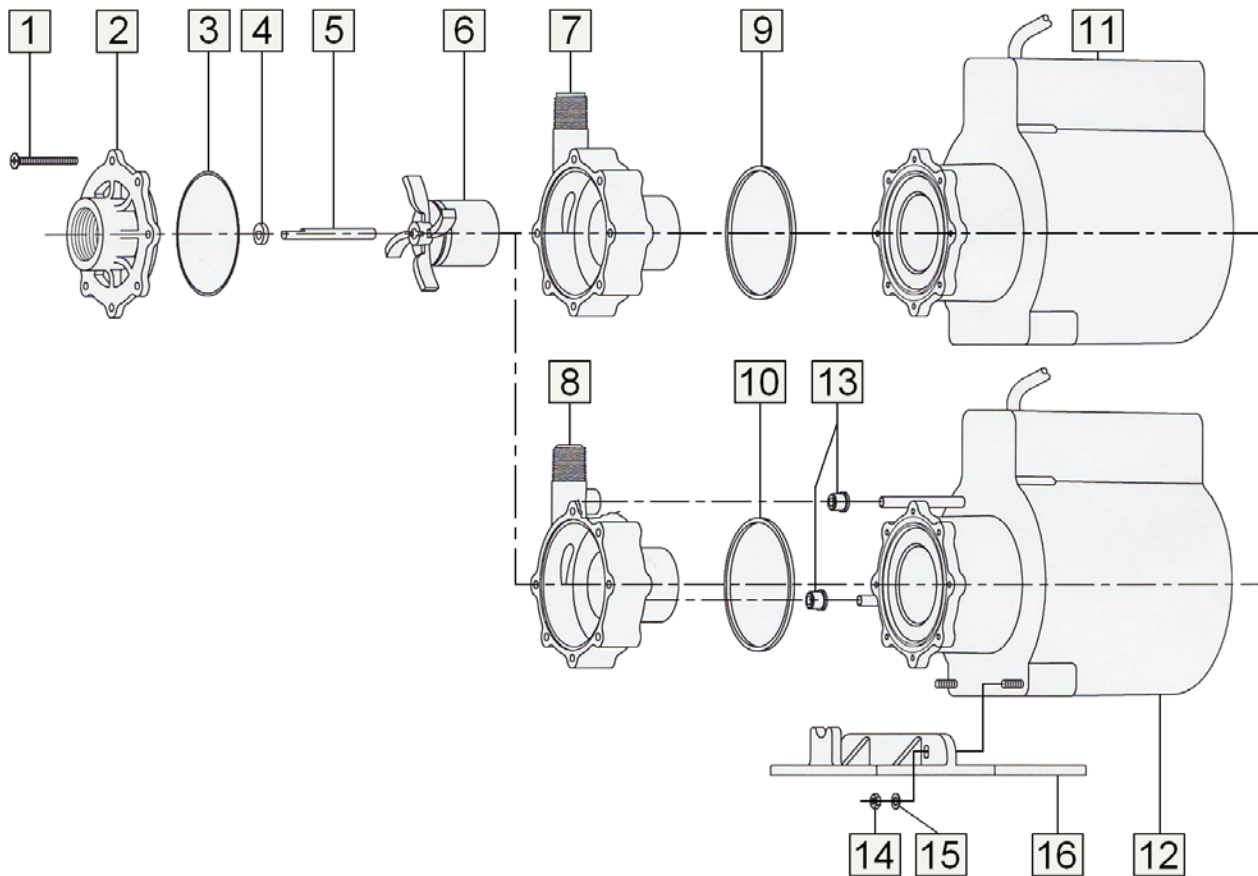
NOTES:

All specifications & data are based on pumping water and are intended for use as a guideline only. Ratings may vary depending on the current motor being used.

LC-5C-MD SUBMERSIBLE OR OPEN AIR



SPECIFICATIONS		5C-MD		LC-5C-MD	
Max Flow	50Hz	lpm	60	60	
	60Hz	gpm	14.5	14.5	
Max Head	50Hz	m	6	6	
	60Hz	ft (psi)	27 (11.7)	27 (11.7)	
Inlet		1" FPT		1" FPT	
Outlet		1/2" MPT		1/2" MPT	
Max Internal Pressure	psi		50	50	
	bar		3.4	3.4	
Max Liquid Temperature	°F		130	130	
	°C		54	54	
Packed Weight		kg/lbs	8/18	8/18	
Motor Type		SUB 115 or 230		TE/SUB 115 or 230	
Phase		1			
50Hz	Volts	115	230	115	230
	Watts	147	145	147	145
	Amps	1.2	0.5	1.2	0.5
	Kw	0.093	0.093	0.093	0.093
	Rpm	2850	2850	2850	2850
60Hz	Volts	115	230	115	230
	Watts	216	207	216	207
	Amps	1.6	0.9	1.6	0.9
	Hp	1/8	1/8	1/8	1/8
	Rpm	3450	3450	3450	3450
Electrical Connection		Cord		Cord	
Overall Pump Dimensions (Inches)	Height	6.90		7.14	
	Width	5.56		5.63	
Overall Pump Dimensions (cm)	Height	9.85		9.85	
	Width	17.5		18.1	
Overall Pump Dimensions (cm)	Width	14.1		14.3	
	Length	25.0		25.0	



REPAIR PARTS LIST

ITEM	DESCRIPTION	MATERIAL	QTY	PART #	5C-MD	LC-5C-MD
1	Screw	Stainless Steel	7	0150-0021-1000	S	S
2	Cover	Polypropylene	1	0150-0032-1000	S	S
3	"O" Ring, for Cover	Buna-N	1	0135-0007-1000	S	S
4	Thrust washer	Ceramic	1	0130-0028-1000	S	S
5	Shaft	Ceramic	1	0130-0024-1000	S	S
6	Impeller Assembly	Polypropylene/Ceramic Magnet	1	0150-0030-0100	S	S
7	Rear Housing w/Thrust Washer	Polypropylene/Ceramic	1	0150-0031-0100	S	
8	Rear Housing w/Thrust Washer & Plug Assy.	Polypropylene/Ceramic	1	0150-0153-0200		S
9	Quad. Ring, for Motor Bracket	Buna-N	1	0150-0020-1000	S	S
10	Quad. Ring, for Motor Bracket	Buna-N	1	0150-0020-1000	S	S
11	Motor & Drive Magnet Assembly 115V 50/60Hz Motor & Drive Magnet Assembly 230V 50/60Hz		1	0150-0004-0100 0150-0039-0100	S	
12	Motor & Drive Magnet Assembly 115V 50/60Hz Motor & Drive Magnet Assembly 230V 50/60Hz		1	0150-0158-0100 0150-0158-0200		S
13	Cooling Tube Seal	Neoprene Rubber	2	0125-0007-1000		S
14	Nut (Hex)	Stainless Steel	2	0802-0008-1000		S
15	Lock Washer	Stainless Steel	2	0802-0006-1000		S
16	Base	Noryl	1	0150-0155-1000		S

NOTE: Contact Factory for other materials and/or parts not listed.

Legend: S = Standard, O = Optional

MATERIALS IN CONTACT WITH SOLUTION:

5C-MD: Polypropylene, Buna N, Ceramic, Ceramic Magnet, Noryl, Stainless Steel, Epoxy, and Cord.
LC-5C-MD wet end: Polypropylene, Buna N, Ceramic, Ceramic Magnet, and Stainless Steel.

LIMITED WARRANTY:

March pumps are guaranteed only against defects in workmanship or materials for a period of one year from date of manufacture pumping water. On all other solutions, contact the factory for application assistance. March Pump Application Worksheet 0750-0130-1000 is available for additional warranty information.