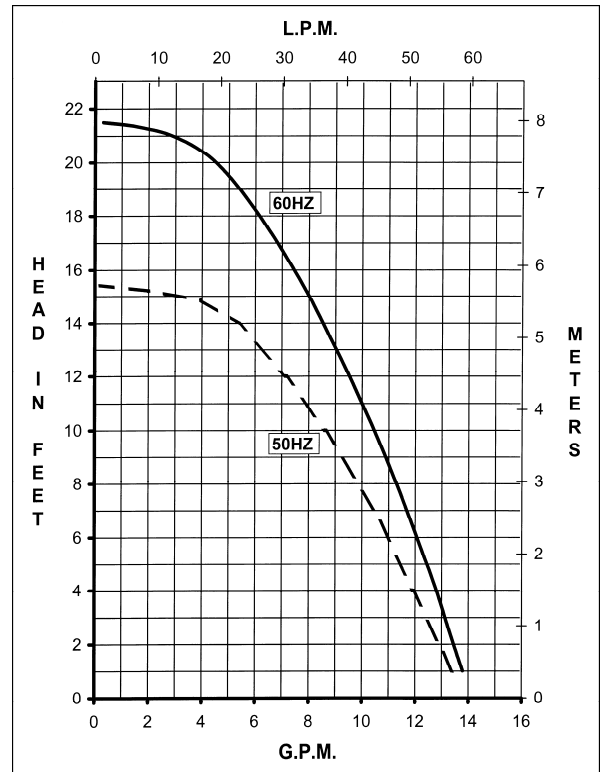
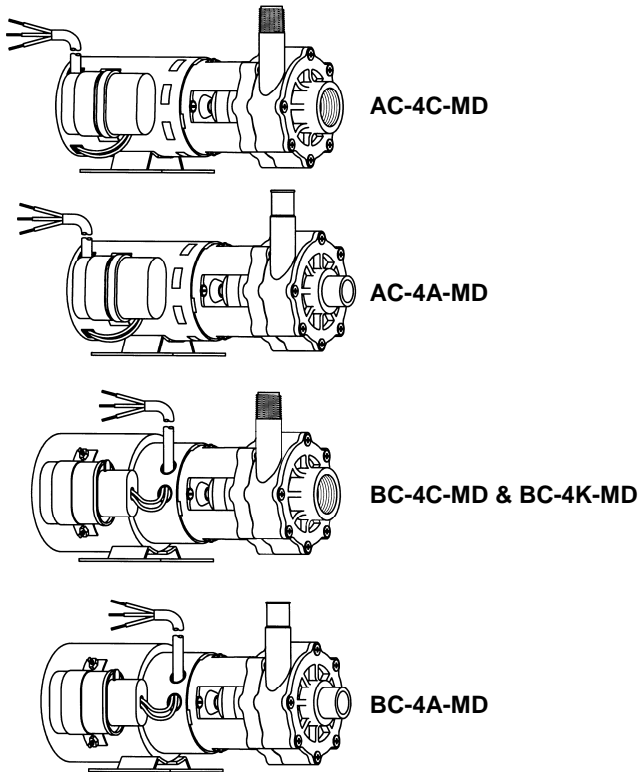


**AC-4C-MD, BC-4C-MD
AC-4A-MD, BC-4A-MD
BC-4K-MD**



MODEL ABBREVIATIONS:

AC = Air Cooled Motor, BC = Blast Cooled Motor, C/K = Threaded Inlet/Outlet, A = Smooth Inlet/Outlet, K = Kynar, C/A = Polypropylene MD = Magnetic Drive, BC models have an encapsulated impeller magnet.

PUMP CONSTRUCTION & SERVICING:

March "Orbital" Magnetic Drive Pumps eliminate the conventional shaft seals found in most pumps. Hence, there is no rotating seal to wear and allow the liquid being pumped to leak out. The pumping action may eventually fail, however the liquid can never leak out. Models AC-4C-MD & AC-4A-MD have an open air fan cooled, moisture protected motor, allowing the pump to be run continuously. Totally enclosed blast cooled motors are used on the BC pumps. All pumps can be serviced with the use of screwdriver. The only moving part other than the motor is the Impeller Assembly, which rotates on a stationary shaft and up against a thrust washer. These are the only parts that can wear, and may need to be replaced. See the Repair Parts List for replacement parts.

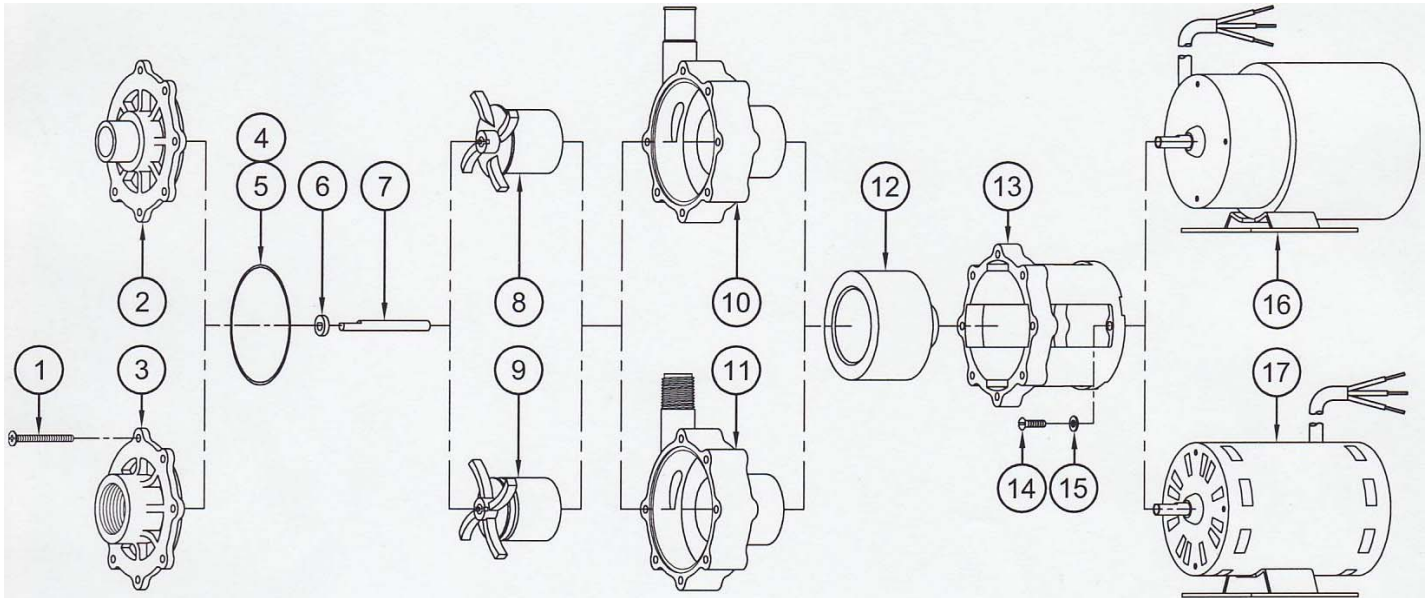
OPERATION:

Pumps are not self priming and will not produce a suction lift and must be installed with a positive flooded suction. We rely on the liquid being pumped to lubricate the Impeller Assembly spinning on the stationary shaft. The pump is not to run dry as the plastic may "freeze" onto the shaft. Teflon and Carbon bushings are available if needed. Contact the factory for special applications. A trimmed impeller may be necessary when pumping a liquid with a specific gravity or viscosity greater than water as well in cases of high liquid temperature.

ELECTRICAL:

Models are 115 Volt or 230 Volt, 50/60 Hz, 1 phase, A.C. The motors are thermal overload protected, and the motor and overload combinations are U.L. and C.S.A. listed. All cords sets are U.L. approved 18/3 wire, SJO or SJT cords. The AC & BC style pumps have 3 foot long cords with no plug attached.

SPECIFICATIONS			AC-4C-MD		AC-4A-MD		BC-4C-MD		BC-4A-MD		BC-4K-MD	
Max Flow	50Hz	lpm	50		50		50		50		50	
	60Hz	gpm	14		14		14		14		14	
Max Head	50Hz	m	4.7		4.7		4.7		4.7		4.7	
	60Hz	ft (psi)	21.5 (9.3)		21.5 (9.3)		21.5 (9.3)		21.5 (9.3)		21.5 (9.3)	
Inlet			1" FPT		1" OD		1" FPT		1" OD		1" FPT	
Outlet			1/2" MPT		3/4" OD		1/2" FPT		3/4" OD		1/2" FPT	
Max Internal Pressure	psi		50		50		50		50		75	
	bar		3.4		3.4		3.4		3.4		5	
Max Liquid Temperature	°F		190		190		190		190		200	
	°C		87		87		87		87		93	
Packed Weight			kg/lbs		3.8/8.5		3.8/8.5		4.5/10		4.5/10	
Motor Type			Air Cooled 115 or 230		Air Cooled 115 or 230		Blast Cooled 115 or 230		Blast Cooled 115 or 230		Blast Cooled 115 or 230	
Phase			1		1		1		1		1	
50Hz	Volts		115	230	115	230	115	230	115	230	115	230
	Watts		121	126	121	126	125	121	125	121	125	121
	Amps		1.75	0.75	1.75	0.75	1.9	0.75	1.9	0.75	1.9	0.75
	Kw		0.062	0.062	0.062	0.062	0.074	0.074	0.074	0.074	0.074	0.074
	Rpm		2850	2850	2850	2850	2850	2850	2850	2850	2850	2850
60Hz	Volts		115	230	115	230	115	230	115	230	115	230
	Watts		172	165	172	165	179	178	179	178	179	178
	Amps		1.75	0.75	1.75	0.75	1.9	0.75	1.9	0.75	1.9	0.75
	Hp		1/12	1/12	1/12	1/12	1/10	1/10	1/10	1/10	1/10	1/10
	Rpm		3450	3450	3450	3450	3450	3450	3450	3450	3450	3450
Electrical Connection			Cord		Cord		Cord		Cord		Cord	
Overall Pump Dimensions (Inches)	Height		5.57	5.57	5.57	5.57	5.65	5.65	5.65	5.65	5.65	5.65
	Width		5.11	5.07	5.11	5.07	5.36	5.36	5.36	5.36	5.36	5.36
	Length		9.77	10.09	10.34	10.65	10.18	10.18	10.74	10.74	10.18	10.18
Overall Pump Dimensions (cm)	Height		14.1	14.1	14.1	14.1	14.1	14.1	14.1	14.1	14.1	14.1
	Width		12.9	12.8	12.9	12.8	13.6	13.6	13.6	13.6	13.6	13.6
	Length		24.8	25.6	26.2	27.0	25.8	25.8	27.2	27.2	25.8	25.8



NOTE:

When attaching the Drive Magnet Assembly (item 12) to the motor shaft, position the face of the Drive Magnet Assembly 1/16 inch below the face of the Motor Bracket (item 13).

REPAIR PARTS LIST										
ITEM	DESCRIPTION	MATERIAL	QTY	PART #	AC-4C-MD	AC-4A-MD	BC-4C-MD	BC-4A-MD	BC-4K-MD	
1	Screw #8-32 x 1 3/4 Lg.	Stainless Steel	7	0150-0021-1000	S	S	S	S	S	
2	Cover (1" OD Inlet)	Polypropylene	1	0150-0150-1000	O	S	O	S		
3A	Cover (1" FPT Inlet)	Polypropylene	1	0150-0032-1000	S	O	S	O		
3B	Cover (1" FPT Inlet)	Kynar	1	0150-0124-1000					S	
4	"O" Ring	Buna-N	1	0135-0007-1000	S	S	O	O	O	
5	"O" Ring	Viton	1	0135-0023-1000	O	O	S	S	S	
6	Thrust Washer	Ceramic	1	0130-0028-1000	S	S	S	S	S	
7	Shaft	Ceramic	1	0130-0024-1000	S	S	S	S	S	
8A	Encapsulated Impeller Assembly	Polypropylene	1	0145-0033-0200	O	O	S	S		
8B	Encapsulated Impeller Assembly	Kynar	1	0145-0039-0200					S	
9	Impeller Assembly	Polypropylene/Ceramic Mag.	1	0145-0011-0100	S	S	O	O		
10	Rear Housing w/Thrust Washer (3/4" OD Outlet)	Polypropylene/Ceramic	1	0150-0159-0100	O	S	O	S		
11A	Rear Housing w/Thrust Washer (1/2" MPT Outlet)	Polypropylene/Ceramic	1	0150-0031-0100	S	O	S	O		
11B	Rear Housing w/Thrust Washer (1/2" MPT Outlet)	Kynar/Ceramic	1	0150-0123-0100					S	
12	Drive Magnet Assembly		1	0145-0027-0100	S	S	S	S	S	
13	Motor Connecting Bracket		1	0145-0010-1000	S	S	S	S	S	
14	Screw #8-32 x 5/8" Lg.	Stainless Steel	4	0618-0027-1000	S	S	S	S	S	
15	Washer Flat, #8	Stainless Steel	4	0858-0004-1000	S	S	S	S	S	
16	BC Motor 115 Volt - 50/60 Hz BC Motor 230 Volt - 50/60 Hz		1	0145-0035-1000 0145-0036-1000	O	O	S	S	S	
17	AC Motor 115 Volt - 50/60 Hz AC Motor 230 Volt - 50/60 Hz		1	0145-0012-1000 0145-0029-1000	S	S	O	O	O	

NOTE: Contact Factory for other materials and/or parts not listed. Legend: S = Standard, O = Optional

MATERIALS IN CONTACT WITH SOLUTION:

AC-4C/4A-MD: Polypropylene, Buna N, Ceramic, Ceramic Magnet
 BC-4C/4A-MD: Polypropylene, Viton, Ceramic
 BC-4K-MD: Kynar/Carbon Filled, Viton, Ceramic

NOTES:

All specifications & data are based on pumping water and are intended for use as a guideline only. Ratings & dimensions may vary depending on the current motor being used.

LIMITED WARRANTY:

March pumps are guaranteed only against defects in workmanship or materials for a period of one year from date of manufacture pumping water. On all other solutions, contact the factory for application assistance. March Pump Application Worksheet 0750-0130-1000 is available for additional warranty information.