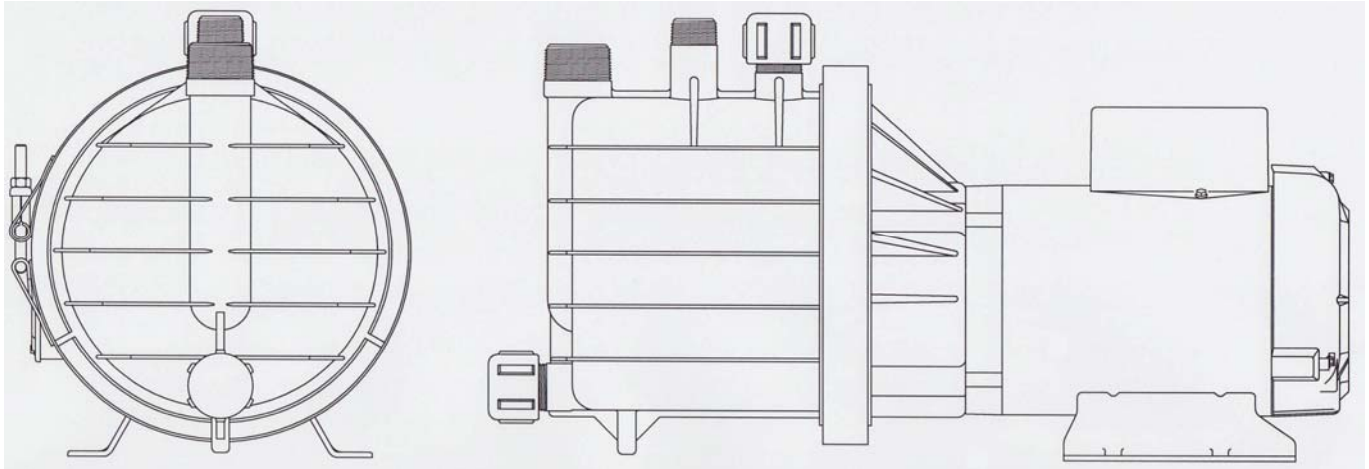




# MARCH PUMPS

1819 PICKWICK AVE., GLENVIEW, IL 60026-1306, U.S.A  
 PHONE: (847) 729-5300 - FAX: (847) 729-7062  
 WWW.MARCHPUMP.COM

## SP-TE-7P-MD & SP-TE-7K-MD



### RATINGS & SPECIFICATIONS

MODEL NO.	MOTOR SPECIFICATIONS						MAX G.P.M	MAX. HEAD	SUCTION LIFT	CONNECTORS		DIMENSIONS			WEIGHT PACKED
	VOLTS	PHASE	RPM	H.P.	HZ.	AMPS				INLET	OUTLET	HT.	WD.	LG.	
7R/K-MD	115/230 230/460	ONE THREE	3450 3450	1 1	60 60	11.8/5.9 3.2/1.45	53 53	52 Ft. 52 Ft.	Max. 12 Ft.	1-1/2" MPT 1-1/2" MPT	1" MPT 1" MPT	12-3/8"	10-3/4"	23"	57 Lbs. 50 Lbs.

#### **PUMP MATERIALS OF CONSTRUCTION:**

This pump is designed to handle a wide range of solutions that are compatible with the following material in contact with the solution:

**SP-TE-7P-MD** – Glass reinforced polypropylene, ceramic thrust washer and spindle, carbon bushing in the impeller assembly and Viton A rubber "O" rings.

**SP-TE-7K-MD** – Carbon filled Kynar® (PVDF). All other components are the same as listed under the 7P pump. Various impeller bushing materials and "O" ring materials are available on special order.

#### **PUMP OPERATION:**

The Housing Container (item 13) should be filled completely with liquid. The container holds approximately 1-3/4 gallons. After the container is full and the filler cap has been screwed tight, check all the connections for any leakage. Start the motor and continue to check for any leakage. The pump has the ability to pull up water a distance of 12 feet from the surface of your supply tank to the pump within one minute. If the unit does not self prime, then check for leakage or for obstructions in the piping system.

#### **PUMP DISASSEMBLY AND REASSEMBLY:**

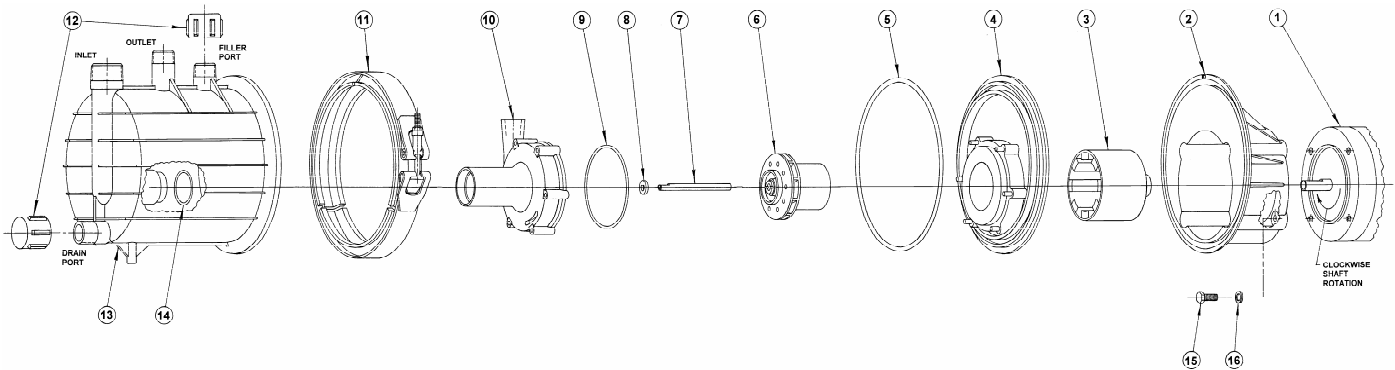
Drain all the liquid from the unit and flush with water. Examine the exploded view of the pump construction before starting to disassemble to become familiar with the unit. Loosen the Hex Nut on the "V" Retainer Clamp (item 11). Slide off the Clamp. The Housing Container (item 13) can now be removed. The Pump Housing (item 10) can now be pulled forward and removed. The Impeller Magnet (item 6) will slide off the Spindle (item 7). Clean all the parts as necessary and replace any worn or damaged parts. Reassemble as shown in the exploded view. Make sure the "O" rings and Thrust Washer are in the proper position.

#### **ELECTRICAL CONNECTIONS:**

The Electrical Wiring Diagram for the motor is located on the side of the motor. The standard motor is 115/230 Volt, 1 Phase or 230/460 Volt, 3 Phase. Check your power source and choose the correct wiring hook up. When checking the motor for rotation, the Fan should rotate counter clockwise when viewing the fan from the back fan shroud position. The Motor Frame is an 182TCZ frame with an extended rigid base.

#### **DRY RUNNING OF PUMPS:**

No liquid pump should be run without liquid in the pump housing. Damage will occur to the plastic components due to friction heat. Short runs of 10 seconds will not damage the pump. This will allow you time to check your electrical connections and direction of rotation.



MODEL SP-TE-7-MD REPAIR PARTS LIST			
ITEM	DESCRIPTION	QTY.	PART NO.
1	MOTOR-SINGLE PHASE- 115/208-230V- 1HP	1	0155-0185-1000
	MOTOR-THREE PHASE-208-230/460V-1HP	1	0155-0186-1000
2	MOTOR CONNECTING BRACKET (RYTON)	1	0155-0178-1000
3	DRIVE MAGNET ASSEMBLY	1	0155-0130-0200
4	REAR HOUSING (POLYPROPYLENE) WITH CERAMIC WASHER	1	0155-0176-0100
4A	REAR HOUSING (KYNAR) WITH CERAMIC WASHER	1	0155-0194-0100
5	"O" RING-9-1/2" I.D. (VITON)	1	0155-0181-1000
6	IMPELLER (POLYPROPYLENE) WITH CARBON BUSHING	1	0155-0159-0200
6A	IMPELLER (KYNAR) WITH CARBON BUSHING	1	0155-0160-0200
7	SHAFT (CERAMIC)	1	0155-0039-1000
8	THRUST WASHER (CERAMIC)	1	0155-0009-1000
9	"O" RING - 4-1/2" I.D. (VITON)	1	0155-0180-1000
10	FRONT HOUSING (POLYPROPYLENE)	1	0155-0175-1000
10A	FRONT HOUSING (KYNAR)	1	0155-0195-1000
11	V-RETAINER COUPLING (STAINLESS)	1	0155-0183-1000
12	DRAIN AND FILLER CAP (POLYPROPYLENE)	2	0155-0182-1000
12A	DRAIN AND FILLER CAP (KYNAR)	2	0155-0197-1000
13	HOUSING CONTAINER (POLYPROYLENE)	1	0155-0177-1000
13A	HOUSING CONTAINER (KYNAR)	1	0155-0196-1000
14	"O" RING - 1-3/4" I.D. (VITON)	1	0155-0179-1000
15	3/8 - 16 X 3/4" LG. HEX HEAD SCREW (STAINLESS)	4	0155-0017-1000
16	3/8" WASHER (STAINLESS)	4	0155-0019-1000

Contact factory for other materials and/or parts not listed.

### LIMITED WARRANTY

March pumps are guaranteed only against defects in workmanship or materials for a period of one year from date of manufacture pumping water. On all other solutions, contact the factory for application assistance. March Pump Application Worksheet 750-130-10 is available for additional warranty information.



1819 PICKWICK AVE., GLENVIEW, IL 60026-1306, U.S.A  
 PHONE: (847) 729-5300 · FAX: (847) 729-7062 · www.marchpump.com

0155-0198-1000 R2