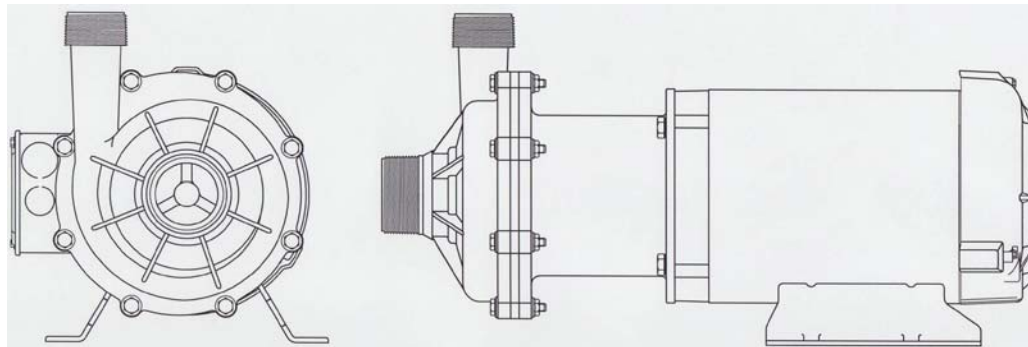


TE-7.5K-MD TE-7.5P-MD



GENERAL RATINGS & SPECIFICATIONS

MODEL	Max Flow	Max Head	Inlet	Outlet	Max Internal Pressure	Max Liquid Temperature	Height	Width	Length	Pack Weight
TE-7.5K-MD	82 gpm	85 feet	2" MPT	1-1/2" MPT	60 psi 4.1 bar	190°F 87°C	10 in	9.53 in	19.58 in	53 lbs.
TE-7.5P-MD		36.8 psi								

MODEL ABBREVIATIONS:

TE = Totally Enclosed Fan Cooled Motor
K = Kynar, P = Polypropylene
MD = Magnetic Drive

PUMP CONSTRUCTION & SERVICING:

March "Orbital" Magnetic Drive Pumps eliminate the conventional shaft seals found in most pumps. This means that there is no rotating shaft or seal to wear and allow the liquid being pumped to leak out. The only seal in the pumps is a stationary Viton® "O" ring seal between the front and rear Housings.

The Pump can be serviced with the use of an adjustable wrench. The only moving part in the pump, other than the motor, is the Impeller-Magnet Assembly which rotates on a stationary ceramic spindle and up against a ceramic thrust washer. These are the only parts that might wear, and may require replacement. See the Repair Parts List for replacement parts.

OPERATION:

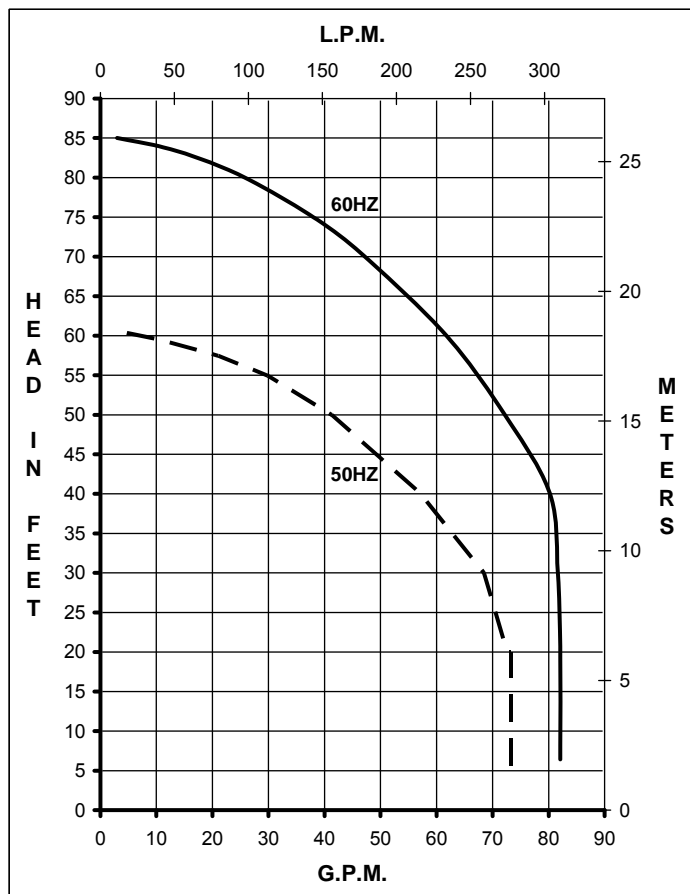
Pumps are not self priming and will not produce a suction lift and must be installed with a positive flooded suction. March relies on the liquid being pumped to lubricate the Impeller-Magnet assembly bushing spinning on the stationary ceramic spindle. If the pump is run dry for longer than 60 seconds, the Impeller bushing may "freeze" onto the spindle. The direction of motor rotation should be clockwise looking into the inlet of the pump.

ELECTRICAL:

The standard pump motor is a TEFC, 3 phase, rated as continuous duty. A junction box is located on the side of the motor for making the electrical hook up. The wiring instructions are located on the motor label or on the junction box cover. The motor has U.L. yellow card recognition. Totally enclosed explosion proof and special voltage motors are available upon special order.

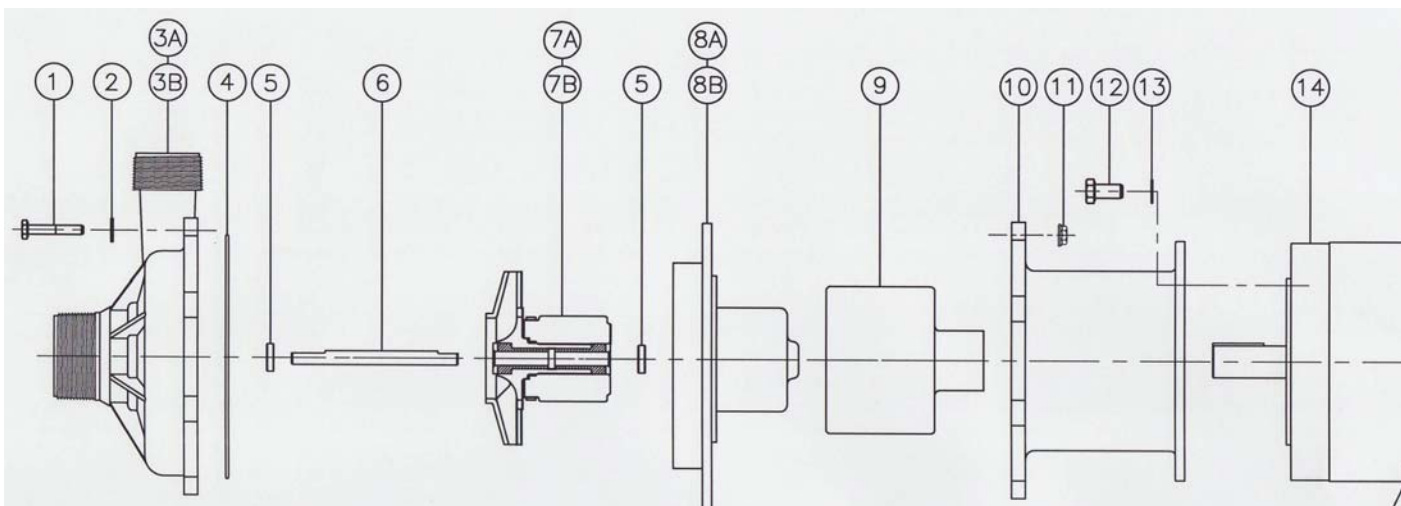
NOTES:

All specifications & data are based on pumping water and are intended for use as a guideline only. Ratings & dimensions may vary depending on the current motor being used.



MOTOR RATINGS & SPECIFICATIONS

Volts	Hz	Ph	Hp	Rpm	Amps	Electrical Connection
230	60	3	2	3450	5.4	Conduit Box.
460					2.7	
190	50	3	1-1/2	2850	4.8	
380					2.4	



REPAIR PARTS LIST

ITEM	DESCRIPTION	MATERIAL	QTY.	PART NO.	USED IN
1	Screw (1/4-20 x 1-1/2 Lg. Hex Hd.)	Stainless Steel	8	0153-0011-1000	All
2	Washer (Flat 1/4 I.D. x 5/8 O.D. x 1/16 Thk.)	Stainless Steel	8	0157-0023-1000	All
3A	Front Housing	Natural Kynar	1	0156-0001-1000	TE-7.5K-MD
3B	Front Housing	Polypropylene	1	0156-0060-1000	TE-7.5P-MD
4	"O" Ring	Viton®	1	0156-0010-1000	All
5	Thrust Washer (Front & Rear)	Ceramic	2	0156-0016-1000	All
6	Shaft	Ceramic	1	0156-0007-1000	All
7A	Impeller w/Carbon Bushings	Natural Kynar	1	0156-0004-0200	TE-7.5K-MD
7B	Impeller w/Carbon Bushings	Polypropylene	1	0156-0064-0200	TE-7.5P-MD
8A	Rear Housing	Natural Kynar	1	0156-0002-1000	TE-7.5K-MD
8B	Rear Housing	Polypropylene	1	0156-0061-1000	TE-7.5P-MD
9	Drive Magnet Assembly		1	0156-0009-0100	All
10	Motor Connecting Bracket	Ryton®	1	0156-0041-1000	All
11	Hex Nut (1/4-20)	Stainless Steel	8	0156-0053-1000	All
12	Screw (3/8-16 x 1" Lg. Hex Hd.)	Stainless Steel	4	0155-0017-1000	All
13	Washer (Flat 3/8)	Stainless Steel	4	0155-0019-1000	All
14	Motor TEFC 3 Ph		1	0156-0008-1000	All

NOTE: Contact factory for other materials and/or parts not listed.

CAUTION IN ASSEMBLY/DISASSEMBLY:

The magnetic couplings in the series 7.5 pumps are made of rare earth cobalt material and are very powerful. If you disassemble the pump and remove the Impeller Assembly from the Rear Pump Housing, great care should be taken in handling. The attraction of the Impeller Magnet and the Drive Magnet may pull the Impeller from your grasp.

You should hold onto the O.D. of the Impeller vanes with both hands and slowly engage the Impeller into the magnetic field. As you feel the axial magnetic pull, hold the Impeller firmly and resist the pull of the magnets, but slowly allow the Impeller to be pulled into the field. The axial magnetic pull is greatest between 1/3 to 2/3 engagement. The axial pull will diminish as the two magnets become aligned.

If you allow the Impeller Assembly to snap into the rear housing, you may damage the carbon bushing, the rear thrust washer or the plastic.

Care must be taken if you set the magnets down on or near a steel surface due to the powerful magnetic pull. These individual magnets may affect the calibration or damage sensitive electronic instruments if set next to the instrument.

MATERIALS IN CONTACT WITH SOLUTION:

For TE-7.5K-MD: Natural Kynar® (PVDF), Ceramic, Viton®, Carbon.
 For TE-7.5P-MD: Polypropylene, Ceramic, Viton®, Carbon.

LIMITED WARRANTY:

March pumps are guaranteed only against defects in workmanship or materials for a period of one year from date of manufacture pumping water. On all other solutions, contact the factory for application assistance. March Pump Application Worksheet 0750-0130-1000 is available for additional warranty information.