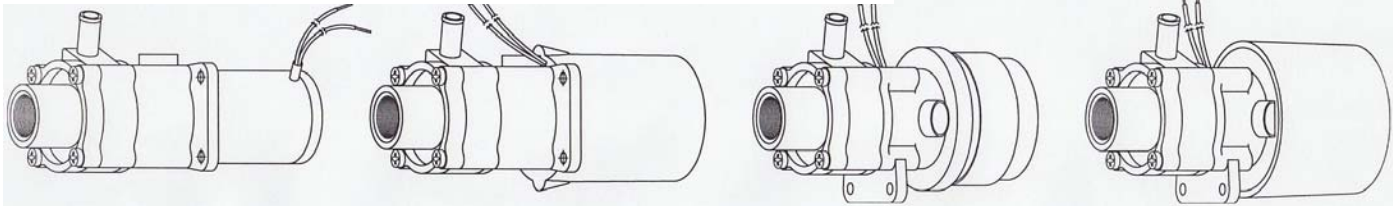




# MARCH PUMPS

# 893

1819 PICKWICK AVE., GLENVIEW, IL 60026-1306, U.S.A  
 PHONE: (847) 729-5300 - FAX: (847) 729-7062  
 WWW.MARCHPUMP.COM



(893-03),(893-05)  
NONSUBMERSIBLE

(893-04),(893-06)  
SUBMERSIBLE

(893-07),(893-08)  
NONSUBMERSIBLE

(893-09),(893-10)  
SUBMERSIBLE OR  
NONSUBMERSIBLE

### RATINGS & SPECIFICATION (D.C. Brush Motor Models)

MODEL	Max Flow	Max Head	Inlet	Outlet	Max Internal Pressure	Max Liquid Temperature	Height	Width	Length	Pack Weight
893-03 (12V)	2.7 gpm	10.6 ft. 4.5 psi	3/8" FPT	3/8" OD	50 psi 3.4 bar	190 °F open air	2.52 in	2.19 in	5.01 in	1.0 lbs.
893-04 (12V)						160 °F sub	2.79 in	2.66 in	5.11 in	1.2 lbs.
893-05 (24V)						190 °F open air	2.52 in	2.19 in	5.01 in	1.0 lbs.
893-06 (24V)						160 °F sub	2.79 in	2.66 in	5.11 in	1.2 lbs.

### RATINGS & SPECIFICATION (D.C. Brushless Motor Models)

893-07 (12V)	2.7 gpm	10.6 ft. 4.5 psi	3/8" FPT	3/8" OD	50 psi 3.4 bar	190 °F open air	2.96 in	2.25 in	4.28 in	1.0 lbs.
893-08 (24V)						190 °F open air, 130 °F sub	2.96 in	2.45 in	4.46 in	1.2 lbs.
893-09 (12V)										
893-10 (24V)										

### PUMP CONSTRUCTION & SERVICING:

March "Orbital" Magnetic Drive Pumps eliminate the conventional shaft seals found in most pumps. This means that there is no rotating seal to wear and allow the liquid being pumped to leak out.

All these pumps can be serviced with the use of a screwdriver. The only moving part in the pump other than the motor is the Impeller-Magnet Assembly. This Impeller-Magnet Assembly rotates on a stationary spindle and up against a thrust washer. This is the only part that can wear out, and may need to be replaced. See the Repair Parts List for replacement parts if necessary.

### OPERATION:

Pumps are not self priming and will not produce a suction lift and must be installed with a positive flooded suction. These pumps rely on the liquid being pumped to lubricate the Impeller-Magnet Assembly spinning on the stationary spindle and, therefore, are not intended for dry running.

### ELECTRICAL CONNECTIONS:

Brushless Motors must be operated within a restricted voltage range due to the electronics in the motor.

12 V.D.C. + 2 Volts, - 5 Volts  
 24 V.D.C. + 4 Volts, - 12 Volts  
 The Red Lead is Positive.  
 The Blue Lead is Negative.

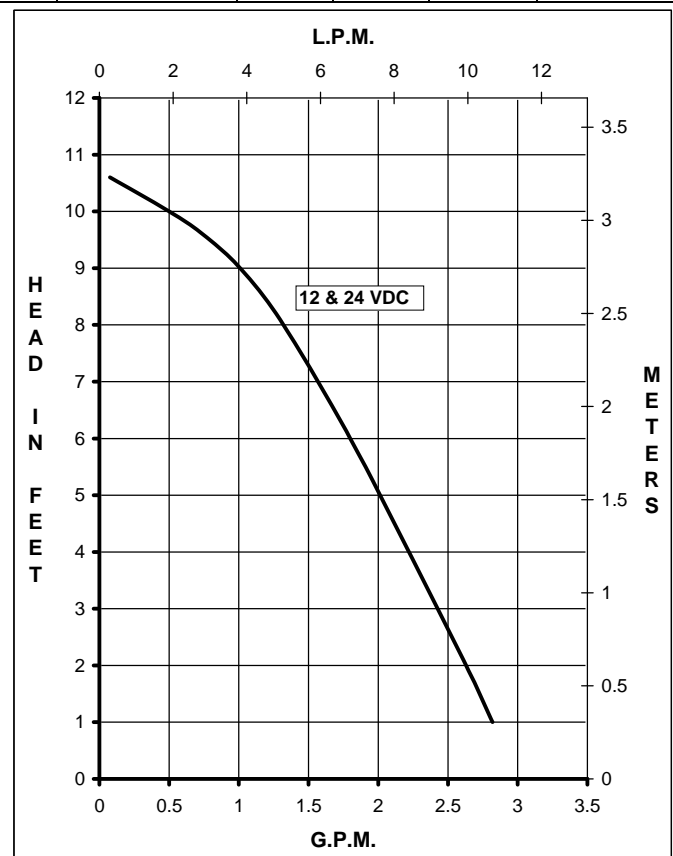
### MATERIALS IN CONTACT WITH SOLUTION:

Noryl, Nylon, Carbon/Teflon, Buna N, 316 Stainless Steel, Ceramic Magnet.

When pump is submerged the following additional materials are in contact: Epoxy, Delrin, & Motor Leads

### NOTES:

All specifications & data are based on pumping water and are intended for use as guideline only. Ratings & dimensions may vary depending on the current motor being used.



### BRUSH MOTOR RATINGS & SPECIFICATIONS

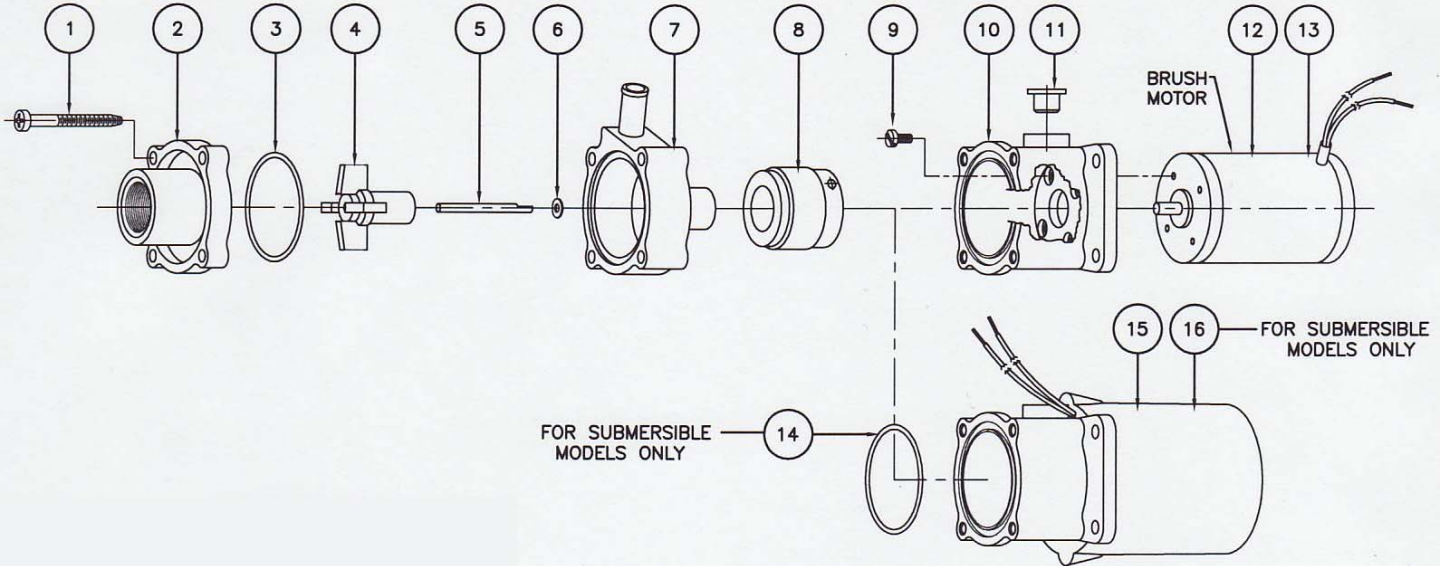
Volts	Hp	Rpm	Watts	Amps	Electrical Connection
12	1/150	4000	12	1	20 inch leads
24				0.5	

### BRUSHLESS MOTOR RATINGS & SPECIFICATIONS

12	1/150	4000	12	1	16 inch leads
24				0.5	

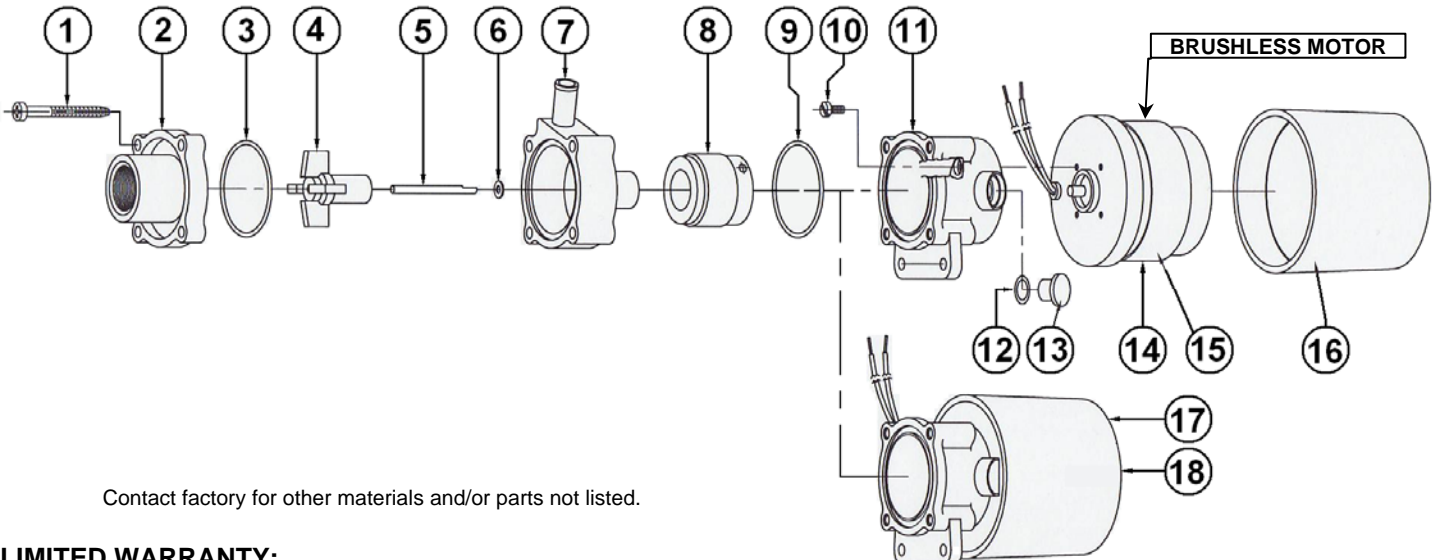
**MODELS 893-03, 893-04, 893-05, & 893-06 REPAIR PARTS LIST**

ITEM	DESCRIPTION	QTY.	PART NO.	ITEM	DESCRIPTION	QTY.	PART NO.
1	Screws, Self-Tapping	4	0115-0062-1000	9	Screws (Pan Head)	4	0893-0016-1000
2	Cover	1	0893-0004-1000	10	Motor Bracket	1	0893-0002-1000
3	"O" Ring	1	0115-0018-1000	11	Plug	1	0125-0110-1000
4	Impeller Assembly	1	0115-0008-0100	12	Motor (DC) 12V	1	0893-0001-1000
5	Shaft	1	0115-0032-1000	13	Motor (DC) 24V	1	0893-0022-1000
6	Rear Thrust Washer	1	0115-0033-1000	14	"O" Ring	1	0115-0018-1000
7	Housing (Rear)	1	0893-0003-1000	15	Encapsulated Assy. (DC) 12V	1	0893-0019-0100
8	Drive Magnet Assembly	1	0115-0101-0100	16	Encapsulated Assy. (DC) 24V	1	0893-0022-0100



**MODELS 893-07, 893-08, 893-09, & 893-10 REPAIR PARTS LIST**

ITEM	DESCRIPTION	QTY.	PART NO.	ITEM	DESCRIPTION	QTY.	PART NO.
1	Screws, Self-Tapping	4	0115-0062-1000	10	Screws (Pan Head)	4	0893-0029-1000
2	Cover	1	0893-0004-1000	11	Motor Bracket	1	0893-0035-0000
3	"O" Ring	1	0115-0018-1000	12	"O" Ring	1	0210-0008-1000
4	Impeller Assembly	1	0115-0008-0100	13	Plug	1	0125-0110-1000
5	Shaft	1	0115-0032-1000	14	Motor (DC) 12V	1	0893-0026-1000
6	Rear Thrust Washer	1	0115-0033-1000	15	Motor (DC) 24V	1	0893-0027-1000
7	Housing (Rear)	1	0893-0003-1000	16	Motor Cap (Optional)	1	0893-0036-1000
8	Drive Magnet Assembly	1	0115-0101-0100	17	Submersible Sub Assy. (DC) 12V	n/a	n/a
9	"O" Ring	1	0115-0018-1000	18	Submersible Sub Assy. (DC) 24V	n/a	n/a



Contact factory for other materials and/or parts not listed.

**LIMITED WARRANTY:**

March pumps are warranted to the original user against defects in workmanship and materials under normal use with room temperature water. The brush type motors used on 03, 04, 05 & 06 have a rated brush life of 2,800 hours. They are warranted for 2,800 hours or 12 months, whichever comes first. The brushless motors used on 07, 08, 09, & 10 have a rated life of 50,000 hours and are warranted for 18 months from date of manufacture.