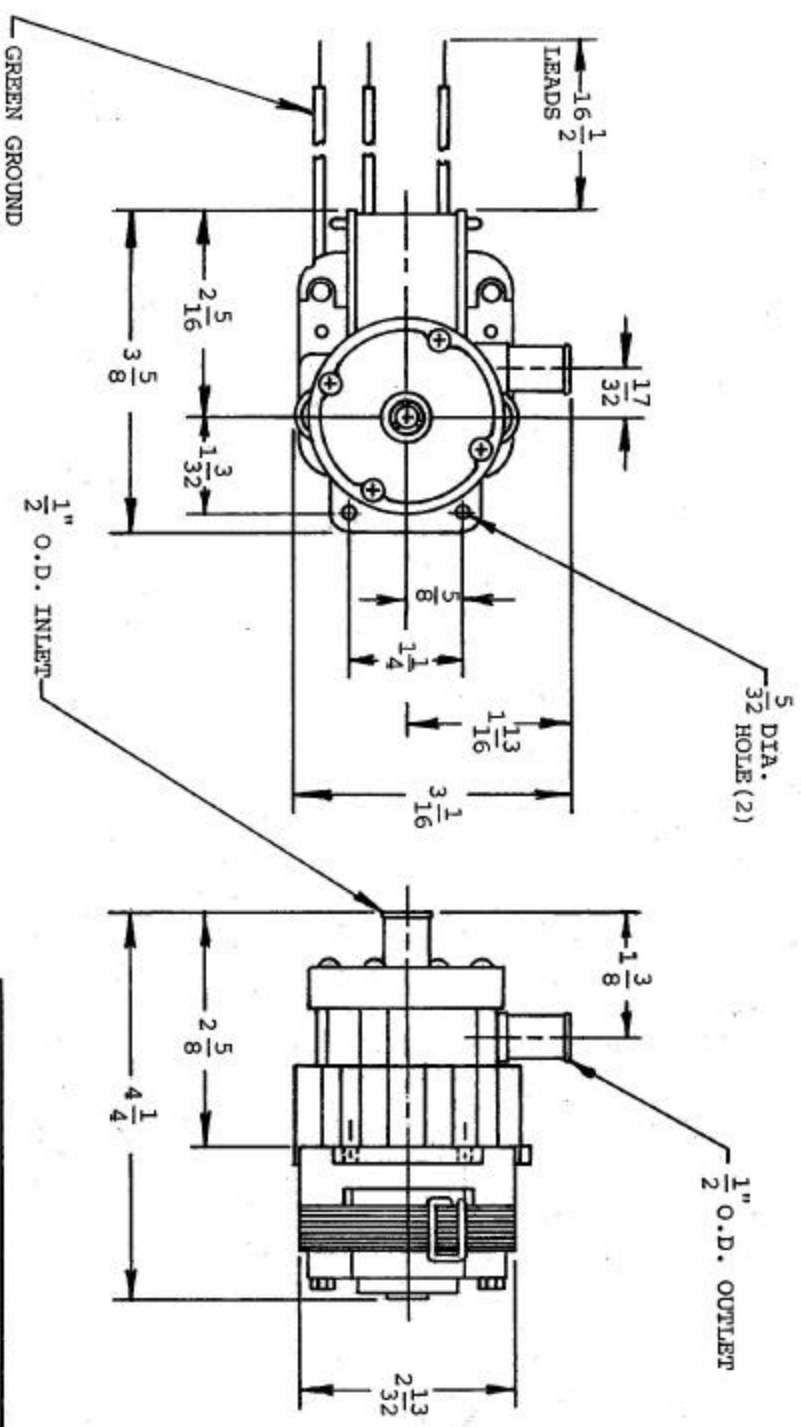


A REDRAWN.
8-16-94 J.T.



MODEL AC-1A-MD-1/2 ASSEMBLY NO. 115-064-01

115V 50/60HZ 230V 50/60HZ AC-1A-MD-1/2 115-064-02

THIS DOCUMENT DISCLOSES SUBJECT MATTER IN WHICH MARCH MFG. INC. HAS PROPRIETARY RIGHTS. NEITHER RECEIPT NOR POSSESSION THEREOF CONFERS OR TRANSFERS ANY RIGHT TO REPRODUCE OR DISCLOSE THE DOCUMENT, ANY PART THEREOF, ANY INFORMATION CONTAINED THEREIN, OR ANY PHYSICAL ARTICLE OR DEVICE OR TO PRACTICE ANY METHOD OR PROCESS, EXCEPT BY WRITTEN PERMISSION FROM OR WRITTEN AGREEMENT WITH MARCH MFG. INC.

MARCH MFG. INC.
1819 PICKWICK AVE.
GLENVIEW, IL.

PART NAME PUMP ASSEMBLY AC-1A-MD-1/2

MATERIAL

HEAT TRMT. SCALE 1/2"=1" QTY. 1

FINISH DRAWN JT/HZ DATE 8-16-94

UNLESS OTHERWISE NOTED TOLERANCE ON FRACTIONS ± 1/64 TOLERANCE ON DECIMALS ± .005 CHECKED APPROVED

PART NUMBER 115 SERIES

QTY. USED ON ASSEM.